

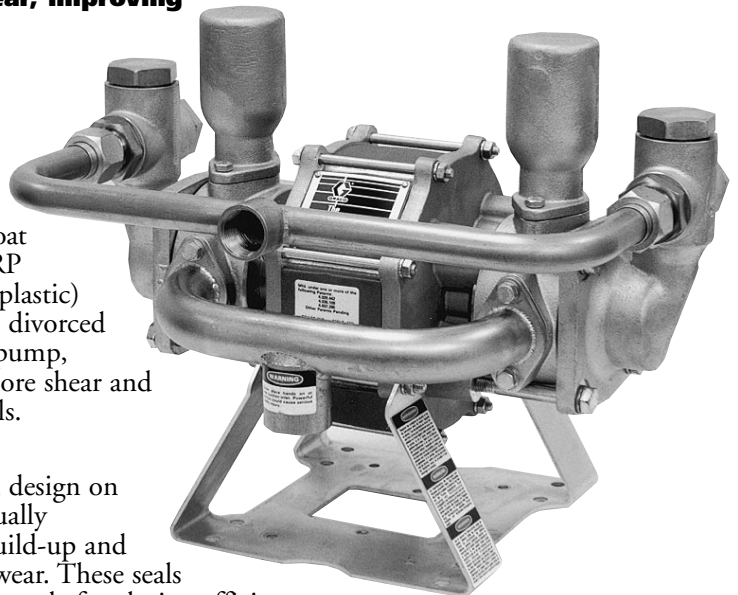


Glutton[®] 2500 Pump

- **Leak proof design for long lasting, low maintenance bellows**
- **Chrome over stainless steel, SevereDuty™ wear parts**
- **Reversible outlet manifold to simplify plumbing**
- **Vertical ball checks with no springs for uniform ball wear, improving their life**

**High pressure
pumping
solutions for
coatings and
gel coats**

Graco's high pressure Glutton 2500 is frequently used for airless spray and gel coat applications in the FRP (fiberglass reinforced plastic) market. It is a unique divorced duplex plunger style pump, designed to handle more shear and heat sensitive materials.



The single piston seal design on each fluid piston virtually eliminates material build-up and subsequent abrasion wear. These seals can wear up to 0.063 cm before losing efficiency, while ordinary pumps will fail with as little as 0.012 cm wear. The piston seals are self-adjusting for long life and less downtime, for reduced overall cost. Even run-dry conditions can occur without piston seal failure. The long life co-polymer bellows seal creates a leak-proof design for the life of the seal, unlike a traditional sealed piston pump.

Typical Fluids Handled

- Coatings
- Gel coat

Typical Application

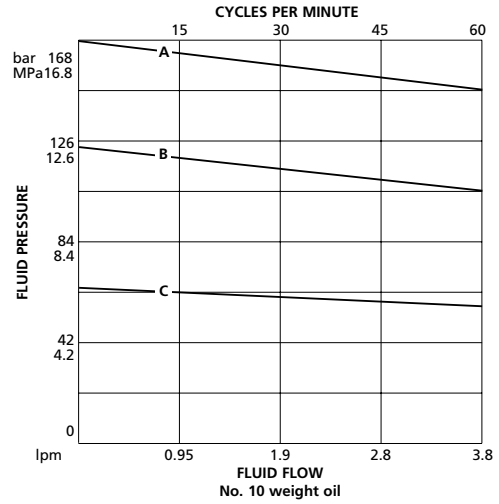
- Airless spray

Technical Specifications

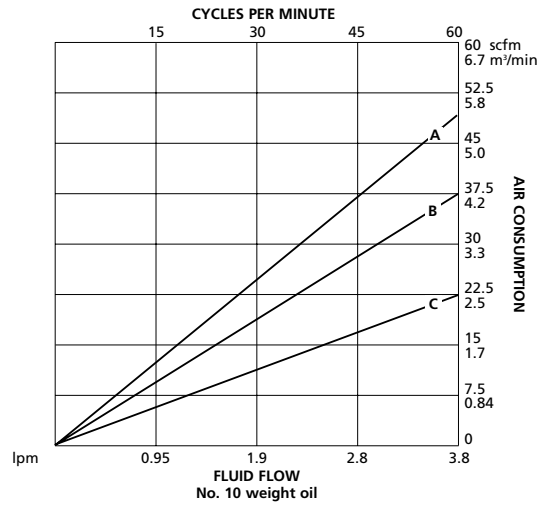
Maximum working pressure 170 bar (17 MPa)
 Maximum air input pressure 7 bar (0.7 MPa)
 Fluid flow at 60 cpm 3.4 lpm
 Volume per cycle 56.7 cc
 Air inlet size 1/2 npt
 Fluid inlet size 1-1/4 npt
 Fluid outlet size 3/4 npt
 Weight 27.5 kg
 Instruction manual 307-843

Performance Charts for Glutton Pumps

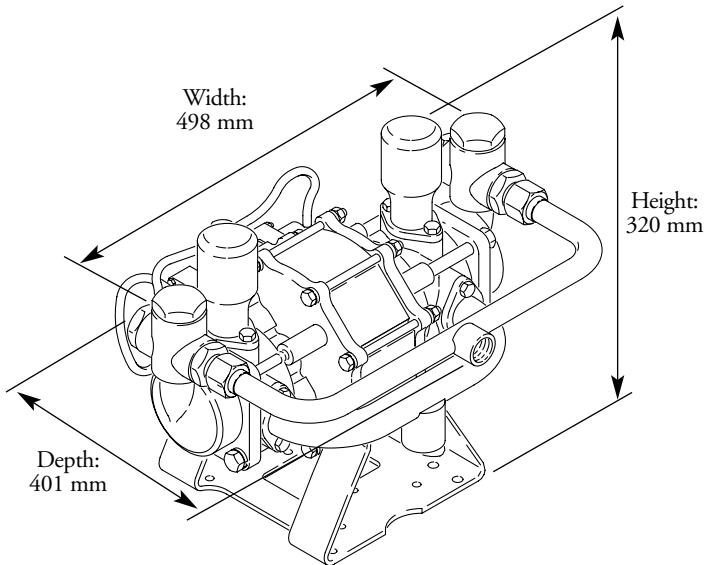
Fluid Pressure



Air Consumption



Dimensions



Ordering Information for Glutton 2500 Pump

Part Ordering No.	220-665	220-668	237-010	237-013
Construction	CS	SST	CS	SST
Standard Fluid Piston Seal Kit Construction	220-950 UHMWPE	220-950 UHMWPE	237-016 Nylon	237-016 Nylon
Optional Fluid Piston Seal Kit Construction	220-660 Urethane	220-660 Urethane	220-660 Urethane	220-660 Urethane
Carbide Ball and Seat Conversion Kit	221-135	221-135	221-135	221-135
Air Valve and Pilot Valve Repair Kit	220-656	220-656	220-656	220-656
Air Control Valve	220-902	220-902	220-902	220-902
Pilot Valve	221-133	221-133	221-133	221-133
Fluid Piston	189-434	189-434	189-434	189-434
Outlet Seat	181-067	189-067	181-067	189-067
Ball Guide	181-852	181-852	181-852	181-852
Ball	101-822	101-822	101-822	101-822
Stop Pin	181-552	185-552	181-552	185-552

Accessories

Grounded Buna-S Air Hose

Maximum working pressure: 12 bar (1.2 MPa).

ID: 13 mm. Thread: 14 npt.

Part No.	Length
----------	--------

205-418	1.8 m
---------	-------

214-656	0.3 m
---------	-------

205-216	4.5 m
---------	-------

205-273	7.6 m
---------	-------

Bleed-Type Master Air Valve

Maximum working pressure: 21 bar (2.1 MPa)

107-141 Inlet and outlet: 3/4 npt(mxf)

107-142 Inlet and outlet: 1/2 npt(mxf)

224-040 Pump Runaway Valve

222-345 Filter, Regulator, Lubricator Kit

104-266 Air Regulator

Maximum working pressure: 21 bar (2.1 MPa)

106-149 Air Line Filter

Maximum working pressure: 17.5 bar (1.7 MPa)

101-689 Air Pressure Gauge

Adjustment range: 0-14 bar (0-1.4 MPa)

214-848 Lubricator

Maximum working pressure: 17.5 bar (1.7 MPa)

183-888 Bearing/Wiper Tool

Use to service the air motor bearing and shaft wiper.

102-969 Loctite® High Strength Sealant

To secure piston shafts to the piston stud.

237-569 Grounding Wire and Clamp

Fluid Inlet Adapters

108-144 Bushing

108-145 Nipple

214-037 High Pressure Fluid Drain Valve

Maximum working pressure: 345 bar (34 MPa).

High Pressure Fluid Filters

Maximum working pressure: 345 bar (34 MPa). 60 mesh element.

218-029 Inlet: 3/8(f). Outlet: 1/4(f)npt. CS.

214-625 Inlet: 3/4 npt(f). Outlet: 1/2 npt(f). SST.

High Pressure Fluid Filter Elements, 3 pack

238-435 30 mesh (595 micron)

238-437 60 mesh (250 micron)

238-439 100 mesh (149 micron)

238-441 200 mesh (75 micron)

231-414 SST Heavy Duty Drum Agitator Package

Includes agitator, siphon kit, cover and elevator.

222-655 Drum Cover Kit

Drum cover assembly, agitator, suction tube and swivel.

207-408 Elevator

Maximum working pressure: 14 bar (1.4 MPa).

Used with Drum Cover Kit (222-655).

223-319 Return Tube Kit

208-259 200 Liter Suction Kit

206-221 Pump Wall Mount Bracket

Viscon² Fluid Heater

Maximum working pressure: 272 bar (27.2 MPa). SST.

220-522 120V

220-523 240V

220-524 480V

SST Fluid Regulators

Maximum pressure of regulators below: 408 bar (40 MPa).

238-890 Maximum pressure adjustment range:
34-204 bar (3.4-20 MPa).

238-892 Maximum pressure adjustment range:
204-340 bar (20-34 MPa).

Graco is registered to I.S. EN ISO 9001.

Any and all specifications contained herein are subject to change without notice.



GRACO N.V.
Slakweidestraat 31
B-3630 Maasmechelen
Tel (32) 89 770 700 • Fax (32) 89 770 777