

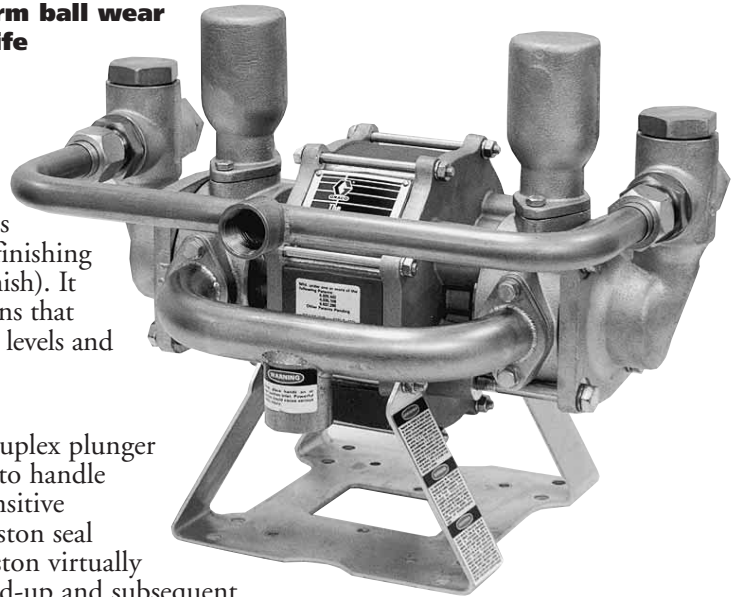


Glutton[®] 1200 Pump

- **Leak proof design for long lasting, low maintenance bellows**
- **Chrome over stainless steel, SevereDuty™ wear parts**
- **Reversible outlet manifold to simplify plumbing**
- **Vertical ball checks with no springs for uniform ball wear improving their life**

Graco's Glutton 1200 is ideal for air assisted airless spray applications for coatings and wood finishing materials (catalyzed varnish). It easily handles applications that require high production levels and a smooth finish.

This unique divorced duplex plunger style pump is designed to handle more shear and heat sensitive materials. The single piston seal design on each fluid piston virtually eliminates material build-up and subsequent abrasion wear. These seals can wear up to 0.063 cm before losing efficiency, while ordinary pumps will fail with as little as 0.012 cm wear. The piston seals are self-adjusting for long life and less downtime, for reduced overall cost. Even run-dry conditions can occur without piston seal failure. The long life co-polymer bellows seal creates a leak-proof design for the life of the seal, unlike a traditional sealed piston pump.



**Pumping
solutions for
coatings and
catalyst
materials**

Typical Fluids Handled

- Coatings
- Catalyzed materials

Typical Applications

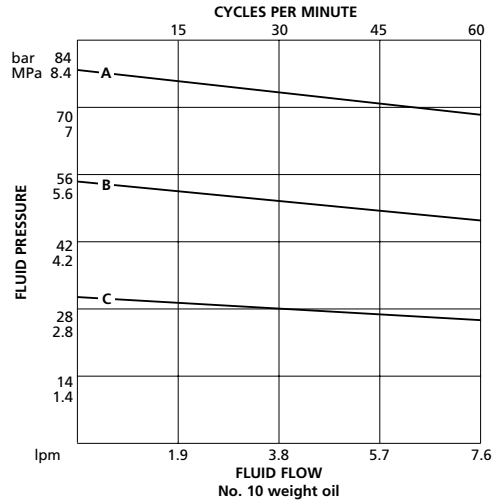
- Air assisted airless

Technical Specifications

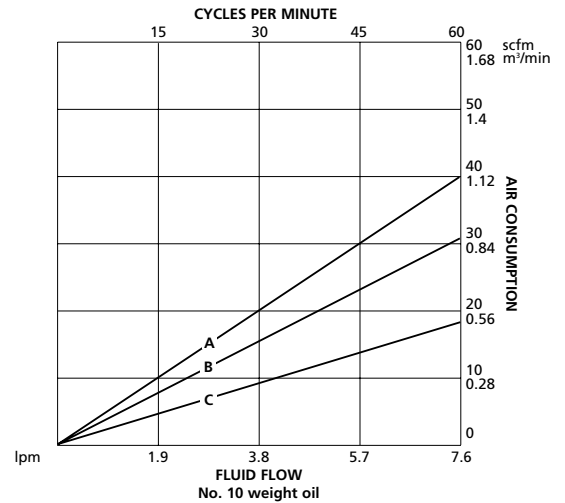
Maximum working pressure 82 bar (8.2 MPa)
 Maximum air input pressure 7 bar (0.7 MPa)
 Fluid flow at 60 cpm 7.5 lpm
 Volume per cycle 127 cc
 Air inlet size 1/2 npt
 Fluid inlet size 1-1/4 npt
 Fluid outlet size 1 npt
 Weight 35.1 kg
 Instruction manual 307-843

Performance Charts for Glutton Pumps

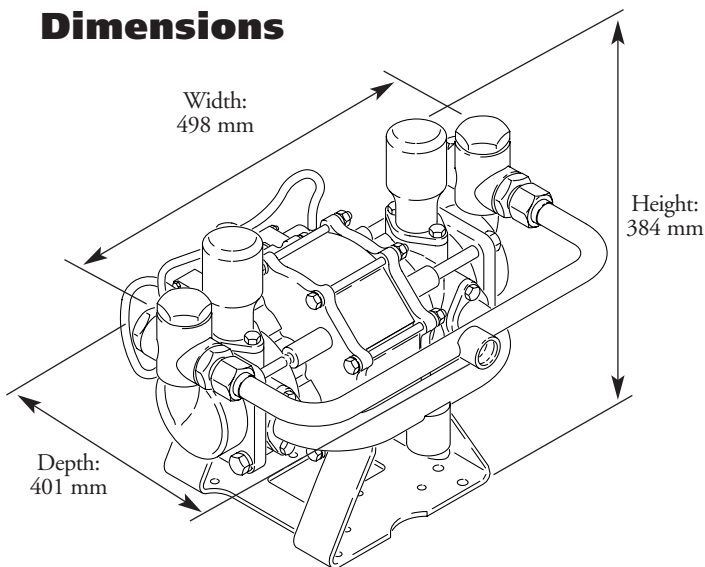
Fluid Pressure



Air Consumption



Dimensions



Ordering Information for Glutton 1200 Pump

| Part Ordering No. | 220-664 | 220-667 | 237-009 | 237-012 |
|---|----------------|----------------|----------------|----------------|
| Construction | CS | SST | CS | SST |
| Standard Fluid Piston Seal Kit | 221-136 | 221-136 | 237-017 | 237-017 |
| Construction | UHMWPE | UHMWPE | Nylon | Nylon |
| Optional Fluid Piston Seal Kit | 220-659 | 220-659 | 220-659 | 220-659 |
| Construction | Urethane | Urethane | Urethane | Urethane |
| Carbide Ball and Seat Conversion Kit | 221-134 | 221-134 | 221-134 | 221-134 |
| Air Valve and Pilot Valve Repair Kit | 220-656 | 220-656 | 220-656 | 220-656 |
| Air Control Valve | 220-902 | 220-902 | 220-902 | 220-902 |
| Pilot Valve | 221-133 | 221-133 | 221-133 | 221-133 |
| Fluid Piston | 189-433 | 189-433 | 189-433 | 189-433 |
| Outlet Seat | 181-947 | 220-948 | 181-947 | 220-948 |
| Ball Guide | 181-845 | 181-845 | 181-845 | 181-845 |
| Ball | 107-167 | 108-287 | 107-167 | 108-287 |
| Stop Pin | 181-976 | 181-976 | 181-976 | 181-976 |

Accessories

Grounded Buna-S Air Hose

Maximum working pressure: 12 bar (1.2 MPa).

ID: 13 mm. Thread: 14 npt.

| Part No. | Length |
|----------|--------|
| 205-418 | 1.8 m |
| 214-656 | 0.3 m |
| 205-216 | 4.5 m |
| 205-273 | 7.6 m |

Bleed-Type Master Air Valve

Maximum working pressure: 21 bar (2.1 MPa)

| | |
|---------|--------------------------------|
| 107-141 | Inlet and outlet: 3/4 npt(mxf) |
| 107-142 | Inlet and outlet: 1/2 npt(mxf) |

224-040 Pump Runaway Valve

222-345 Filter, Regulator, Lubricator Kit

104-266 Air Regulator

Maximum working pressure: 21 bar (2.1 MPa)

106-149 Air Line Filter

Maximum working pressure: 17.5 bar (1.7 MPa)

101-689 Air Pressure Gauge

Adjustment range: 0-14 bar (0-1.4 MPa)

214-848 Lubricator

Maximum working pressure: 17.5 bar (1.7 MPa)

183-888 Bearing/Wiper Tool

Use to service the air motor bearing and shaft wiper.

102-969 Loctite® High Strength Sealant

To secure piston shafts to the piston stud.

237-569 Grounding Wire and Clamp

Fluid Inlet Adapters

| | |
|---------|---------|
| 108-144 | Bushing |
| 108-145 | Nipple |

Drain Valves

214-037 High Pressure Fluid Drain Valve

Max. working pressure: 345 bar (34 MPa)

210-071 Low Pressure Fluid Drain Valve

Max. working pressure: 34 bar (3.5 Mpa)

High Pressure Fluid Filters

Maximum working pressure: 345 bar (34 MPa).

60 mesh element.

| | |
|---------|---|
| 218-029 | Inlet: 3/8(f). Outlet: 1/4(f)npt. CS. |
| 214-625 | Inlet: 3/4 npt(f). Outlet: 1/2 npt(f). SST. |

High Pressure Fluid Filter Elements

| | |
|---------|-----------------------|
| 238-435 | 30 mesh (595 micron) |
| 238-437 | 60 mesh (250 micron) |
| 238-439 | 100 mesh (149 micron) |
| 238-441 | 200 mesh (75 micron) |

Low Pressure/High Volume Fluid Filters

Maximum working pressure: 22 bar (2.2 MPa).

Inlet and outlet: 1-1/4 npt(f), aluminum.

| | |
|---------|-----------------------|
| 213-062 | 30 mesh (595 micron) |
| 213-063 | 60 mesh (250 micron) |
| 213-064 | 100 mesh (149 micron) |
| 213-065 | 150 mesh (95 micron) |
| 213-066 | 200 mesh (75 micron) |

231-414 SST Heavy Duty Drum Agitator Package

Includes agitator, siphon kit, cover and elevator.

222-655 Drum Cover Kit

Drum cover assembly, agitator, suction tube and swivel.

207-408 Elevator

Maximum working pressure: 14 bar (1.4 MPa). Used with Drum Cover Kit (222-655).

223-319 Return Tube Kit

208-259 200 Liter Suction Kit

206-221 Pump Wall Mount Bracket

Viscon² Fluid Heater

Maximum working pressure: 272 bar (27.2 MPa). SST.

| | |
|---------|------|
| 220-522 | 120V |
| 220-523 | 240V |
| 220-524 | 480V |

222-121 SST Fluid Regulator

Fluid pressure range: 10.2-81.6 bar (1.02-8.16 MPa).

Graco is registered to I.S. EN ISO 9001.

Any and all specifications contained herein are subject to change without notice.



GRACO N.V.
Slakweidestraat 31
B-3630 Maasmechelen
Tel: (32) 89 770 700 • Fax: (32) 89 770 777
www.graco.com (US) • www.graco.be (Europe)