



Product & Parts Catalog

Manual Spray Guns / Cups & Containers



Product & Parts Catalog
Manual Spray Guns
Cups & Containers

Index

	Page
Spray Guns	
LPH50 Mini LV Gravity Feed.....	2
LPH100 LV Gravity Feed	4
LPH100 LV Siphon Feed.....	6
LPH100 Pressure Feed.....	8
LPH200 and LPH2003	10
LPH400 LV and LPH400 LVB	12
LPH300 LV	14
LPH-94	16
LPH-95	18
W100	20
W100A.....	22
W200 and W2003	24
W300	26
W400	28
W400 LV and W400 WB	30
RG2	32
RG3L.....	34
Cups and Containers	
PC18B.....	36
PC18C.....	38
PC4/4S/5	40
PCG6P/7M/10M	40
PCL7B/10B.....	40
PCL10/101-3P.....	40
PC19B.....	40
Sahara Dryers	
6500	42
6600	42
6700	42
6503	42
6712	42
Dent Master	
DM-100.....	44

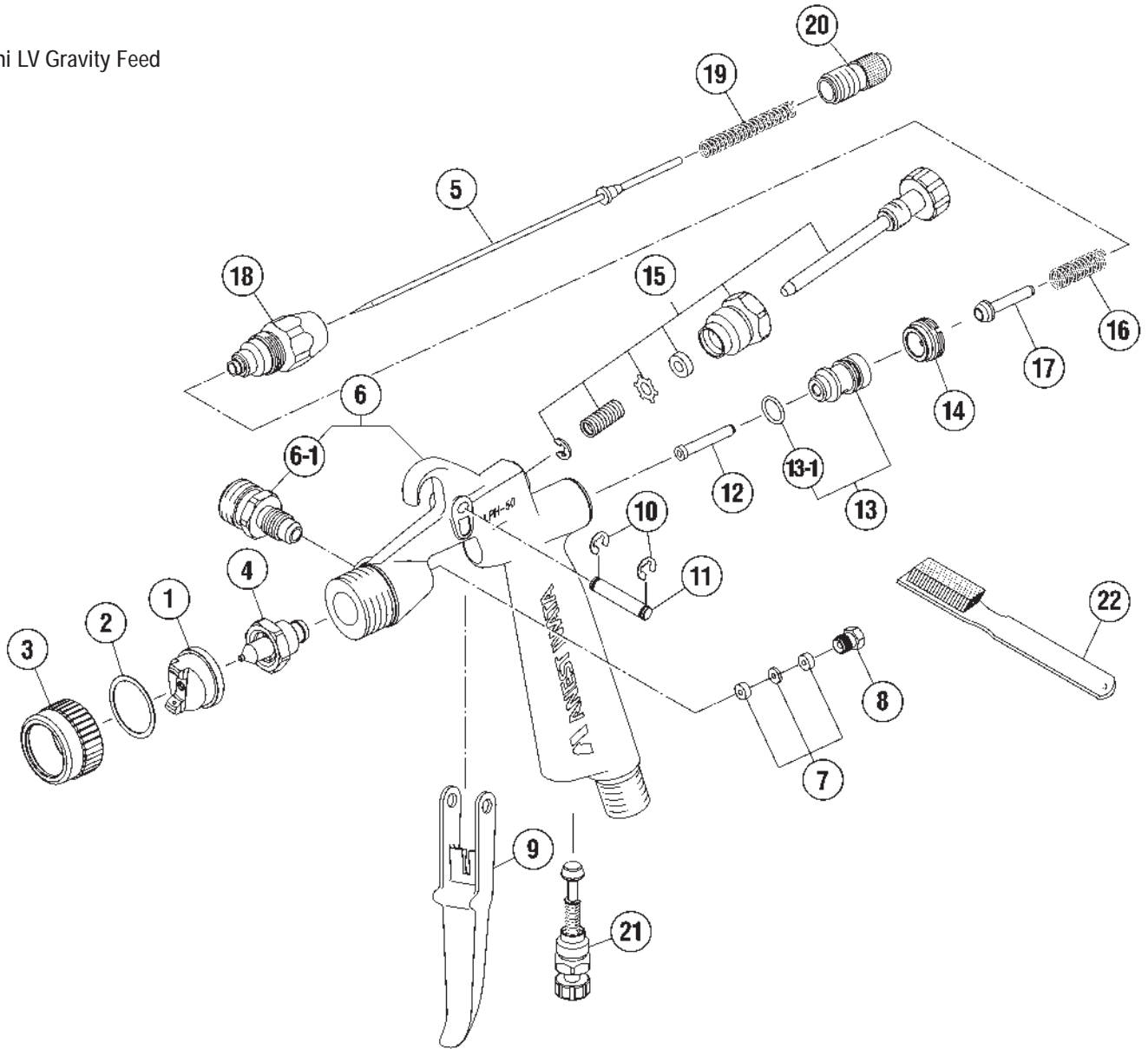


Manual Spray Guns

LPH50 Mini LV
Gravity Feed

Ref #	Part #	Description	Remarks
1	93557600	AIR CAP	
2	93558600	PACKING	
3	93559600	COVER RING	
4	93570600	FLUID NOZZLE 0.4	042G
4	93568600	FLUID NOZZLE 0.6	062G
4	93560600	FLUID NOZZLE 1.0	102G
5	93891600	FLUID NEEDLE SET 0.4	042G
5	93890600	FLUID NEEDLE SET 0.6	062G
5	93886600	FLUID NEEDLE SET 1.0	102G
6	93887600	GUN BODY SET	WITH 6-1
6-1	93005890	FLUID JOINT	RG3L
7	93940880	NEEDLE PACKING SET	RG3L
8	93001890	NEEDLE PACKING SEAT	RG3L
9	93162890	TRIGGER	RG2/RG3L
10	93912030	E STOPPER	2PCS/PK
11	93167890	TRIGGER STUD	RG2/RG3L
12	93006880	AIR VALVE SHAFT	RG3L
13	93912880	AIR VALVE SEAT SET	RG3L
13-1	96638005	O RING	RG2/RG3L
14	93011880	AIR VALVE SEAT SCREW	RG3L
15	93888600	PATTERN ADJUSTING SET	
16	93012880	AIR VALVE SPRING	RG3L
17	93013880	AIR VALVE	RG3L
18	93936880	FLUID ADJUST GUIDE SET	RG3L
19	93015880	NEEDLE SPRING	RG3L
20	93017880	FLUID ADJUST KNOB	RG3L
21	93845531	AIR AD SET	LPH100
22	96990600	CLEANING BRUSH	
	93280881	GUN WRENCH	RG2/RG3L
	2860	RG3L/LPH50 SERVICE KIT	7, 8, 10, 13-1
	2981	TEST CAP GAUGE SET	

LPH50 Mini LV Gravity Feed



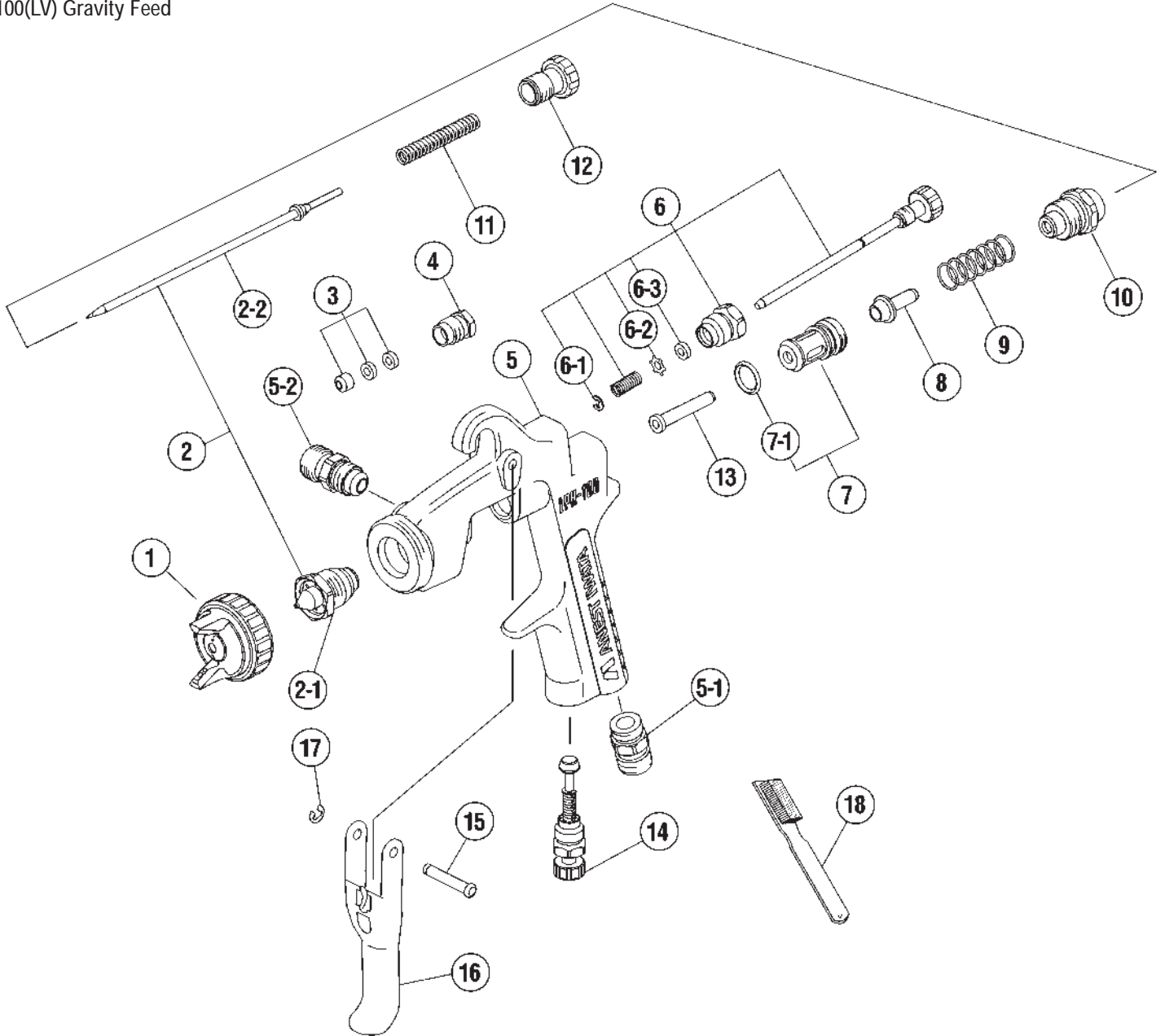


Manual Spray Guns

LPH100(LV)
Gravity Feed

Ref #	Part #	Description	Remarks
1	93804601	AIR CAP SET H2	102G/122G/182G/202G
1	93875601	AIR CAP SET LV4	LV SERIES
2	93856600	NOZZLE/NEEDLE SET 1.0	
2	93857600	NOZZLE/NEEDLE SET 1.2	
2	93833530	NOZZLE/NEEDLE SET 1.3	
2	93802600	NOZZLE/NEEDLE SET 1.5	
2	93803600	NOZZLE/NEEDLE SET 1.8	
2	93808600	NOZZLE/NEEDLE SET 2.0	
2	93867600	NOZZLE/NEEDLE SET 1.2 LV	LV SERIES
2	93862600	NOZZLE/NEEDLE SET 1.4 LV	LV SERIES
2	93869600	NOZZLE/NEEDLE SET 1.6 LV	LV SERIES
2	93871600	NOZZLE/NEEDLE SET 1.8 LV	LV SERIES
2-1	93698530	FLUID NOZZLE 1.0	
2-1	93573530	FLUID NOZZLE 1.2	
2-1	93577530	FLUID NOZZLE 1.3	
2-1	93700530	FLUID NOZZLE 1.5	
2-1	93702530	FLUID NOZZLE 1.8	
2-1	93717530	FLUID NOZZLE 2.0	
2-1	93544600	FLUID NOZZLE 1.2LV	LV SERIES
2-1	93542600	FLUID NOZZLE 1.4LV	LV SERIES
2-1	93545600	FLUID NOZZLE 1.6LV	LV SERIES
2-1	93546600	FLUID NOZZLE 1.8LV	LV SERIES
2-2	93537600	1.0 FLUID NEEDLE (MARKED AS 08)	USE FOR 1.0
2-2	93578530	1.3 FLUID NEEDLE	USE FOR 1.2 THRU 1.6
2-2	93703530	1.8 FLUID NEEDLE	USE FOR 1.8 THRU 2.0
3	93834530	NEEDLE PACKING SET	
4	93581531	NEEDLE PACKING SEAT	
5	93807600	BODY	
5-1	93660300	AIR NIPPLE	
5-2	93584530	FLUID NIPPLE	
6	93842531	PATTERN ADJ.SET	
6-1	96610023	STOPPER	
6-2	96470358	WASHER	
6-3	93502540	BACK RING	
7	93843530	AIR VALVE SEAT SET	
7-1	96638008	O RING	
8	93591530	AIR VALVE	
9	93719530	AIR VALVE SPRING	
10	93844531	FLUID ADJUST GUIDE SET	
11	93593530	FLUID NEEDLE SPRING	
12	93594532	FLUID ADJ. KNOB	
13	93595530	AIR VALVE SHAFT	
14	93845531	AIR ADJ. SET	
15	93667360	TRIGGER STUD	
16	93597530	TRIGGER	
17	93912030	E STOPPER (2 PCS/PK)	
18	96990600	CLEANING BRUSH	
	93576530	L GASKET FOR AIR CAP	
	93538600	CENTURY SERIES GUN WRENCH	
	5425	CENTURY SERIES GUN SERVICE KIT	3, 4, 7-1, 9, 11, 15, 17
	2985	TEST CAP GAUGE SET	

LPH100(LV) Gravity Feed



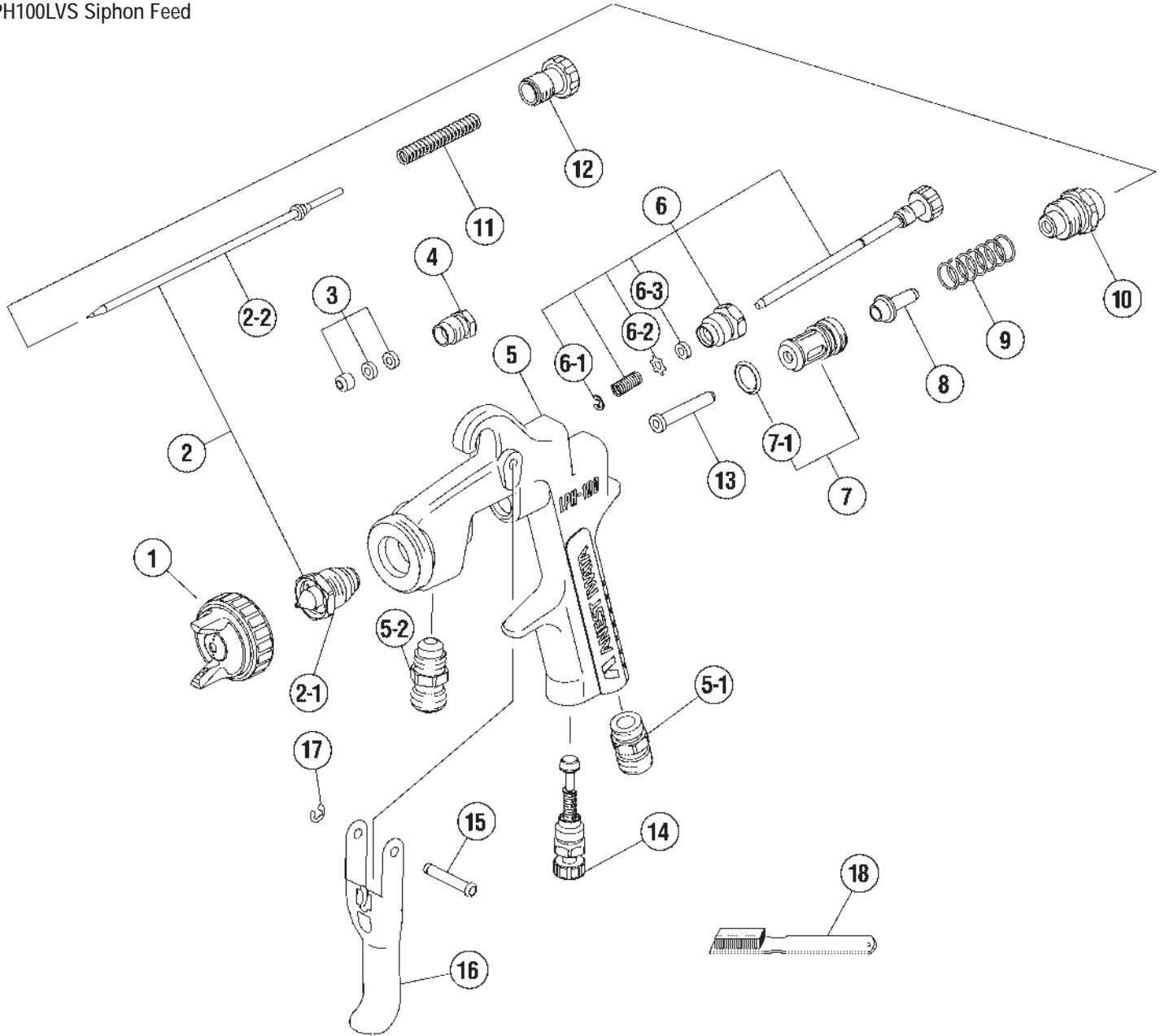


Manual Spray Guns

LPH100LVS
Siphon Feed

Ref #	Part #	Description	Remarks
1	93875601	AIR CAP SET LV4	LV SERIES
2	93862600	NOZZLE/NEEDLE SET 1.4 LV	
2	93869600	NOZZLE/NEEDLE SET 1.6 LV	
2-1	93542600	FLUID NOZZLE 1.4LV	
2-1	93545600	FLUID NOZZLE 1.6LV	
2-2	93578530	1.3 FLUID NEEDLE	USE FOR 1.4 THRU 1.6
3	93834530	NEEDLE PACKING SET	
4	93581531	NEEDLE PACKING SEAT	
5	93835530	GUN BODY	
5-1	93660300	AIR NIPPLE	
5-2	93584530	FLUID NIPPLE	
6	93842531	PATTERN ADJ.SET	
6-1	96610023	STOPPER	
6-2	96470358	WASHER	
6-3	93502540	BACK RING	
7	93843530	AIR VALVE SEAT SET	
7-1	96638008	O RING	
8	93591530	AIR VALVE	
9	93719530	AIR VALVE SPRING	
10	93844531	FLUID ADJUST GUIDE SET	
11	93593530	FLUID NEEDLE SPRING	
12	93594532	FLUID ADJ. KNOB	
13	93595530	AIR VALVE SHAFT	
14	93845531	AIR ADJ. SET	
15	93667360	TRIGGER STUD	
16	93597530	TRIGGER	
17	93912030	E STOPPER (2 PCS/PK)	
18	96990600	CLEANING BRUSH	
	93576530	L GASKET FOR AIR CAP	
	93538600	CENTURY SERIES GUN WRENCH	
	5425	CENTURY SERIES GUN SERVICE KIT	3, 4, 7-1, 9, 11, 15, 17
	2985	TEST CAP GAUGE SET	

LPH100LVS Siphon Feed



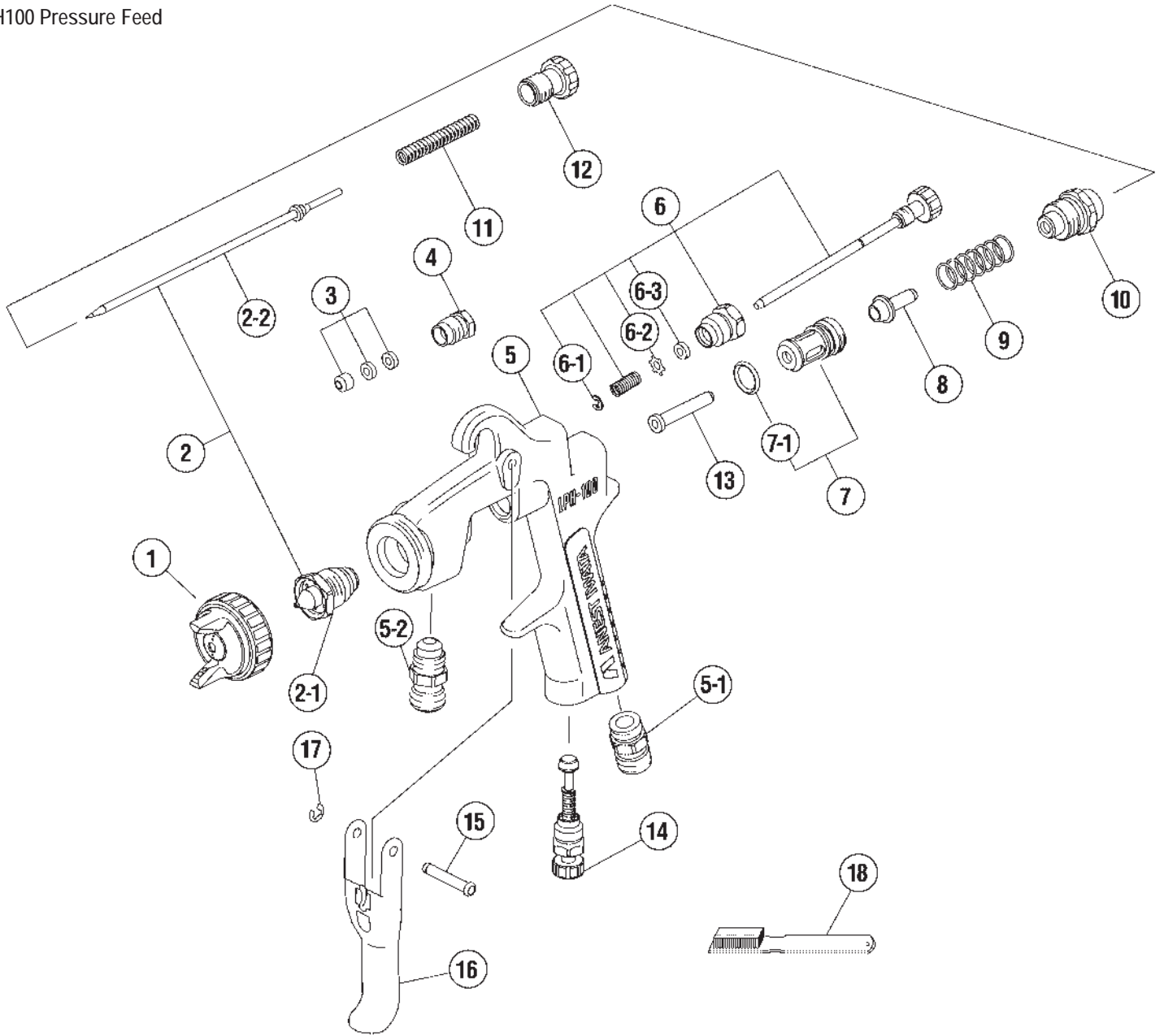


Manual Spray Guns

LPH100
Pressure
Feed

Ref #	Part #	Description	Remarks
1	93832531	AIR CAP E1	081P/101P/131P/151P
1	93811601	AIR CAP G2P	122P
2	93855600	NOZZLE/NEEDLE SET 0.8	
2	93856600	NOZZLE/NEEDLE SET 1.0	
2	93857600	NOZZLE/NEEDLE SET 1.2	
2	93833530	NOZZLE/NEEDLE SET 1.3	
2	93802600	NOZZLE/NEEDLE SET 1.5	
2	93803600	NOZZLE/NEEDLE SET 1.8	
3	93834530	NEEDLE PACKING SET	
4	93581531	NEEDLE PACKING SEAT	
5	93835530	GUN BODY	
5-1	93660300	AIR NIPPLE	
5-2	93584530	FLUID NIPPLE	
6	93842531	PATTERN ADJ. SET	
6-1	96610023	STOPPER	
6-2	96470358	WASHER	
6-3	93502540	BACK RING	
7	93843530	AIR VALVE SEAT SET	
7-1	96638008	O RING	
8	93591530	AIR VALVE	
9	93719530	AIR VALVE SPRING	
10	93844531	FLUID ADJUST GUIDE SET	
11	93593530	FLUID NEEDLE SPRING	
12	93594532	FLUID ADJ. KNOB	
13	93595530	AIR VALVE SHAFT	
14	93845531	AIR ADJ. SET	
15	93667360	TRIGGER STUD	
16	93597530	TRIGGER	
17	93912030	E STOPPER (2 PCS/PACK)	
18	96990600	CLEANING BRUSH	
	93576530	L GASKET FOR AIR CAP	
	93538600	GUN WRENCH	
	5425	CENTURY SERIES GUN SERVICE KIT	3, 4, 7-1, 9, 11, 15, 17
	2986	TEST CAP GAUGE SET "G2P" ONLY	
	2987	TEST CAP GAUGE SET E-1	

LPH100 Pressure Feed



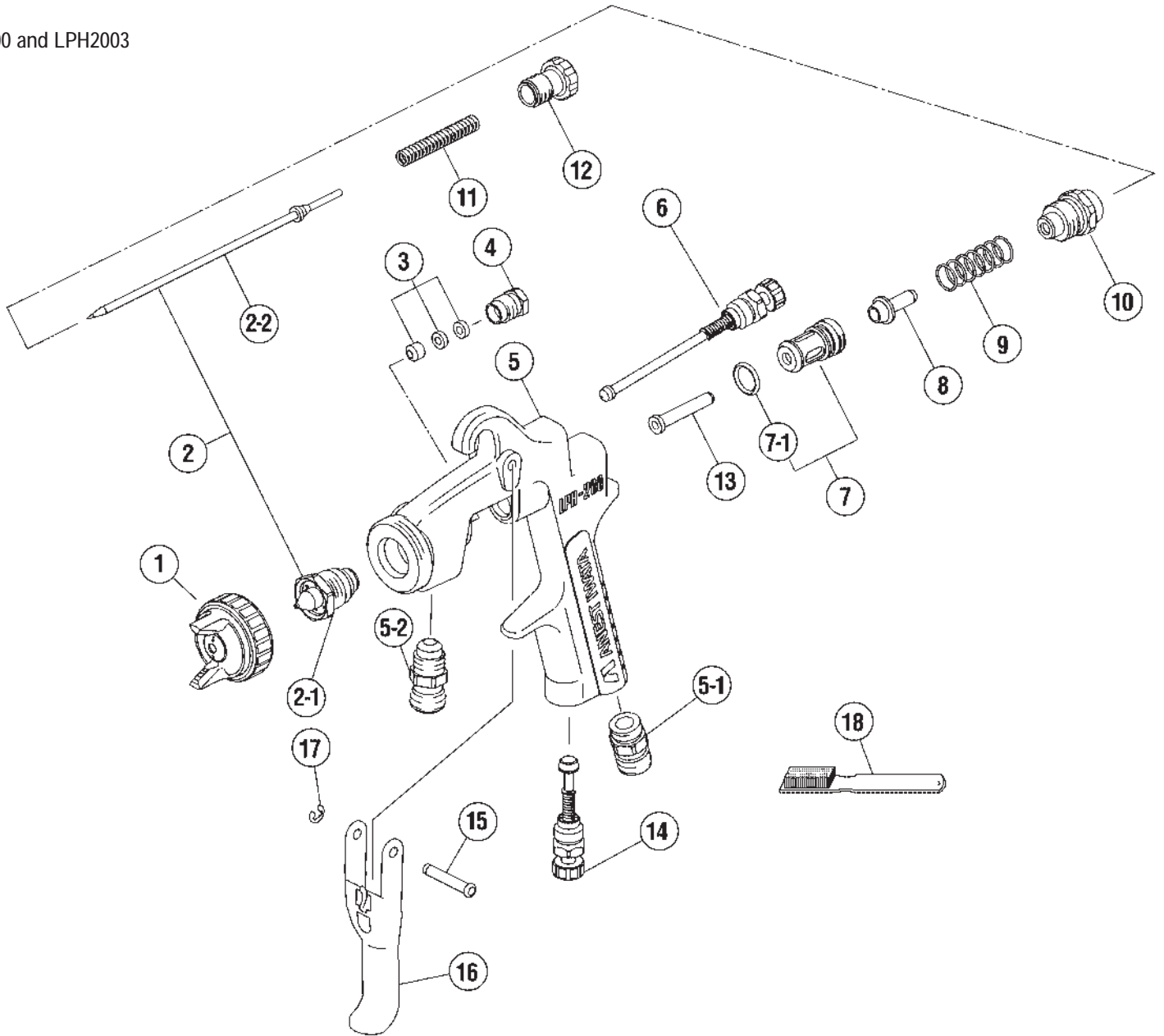


Manual Spray Guns

LPH200 and
LPH2003

Ref #	Part #	Description	Remarks
1	93822601	AIR CAP SET G2	LPH200/LPH2003
1	93587601	AIR CAP SET LV6	LPH200-LVP
2	93593600	FLUID NOZZLE/NEEDLE SET 0.8 LV	LPH200-LVP
2	93594600	FLUID NOZZLE/NEEDLE SET 1.0 LV	LPH200-LVP
2	93595600	FLUID NOZZLE/NEEDLE SET 1.2 LV	LPH200-LVP
2	93858600	FLUID NOZZLE/NEEDLE SET 1.2	STANDARD
2	93859600	FLUID NOZZLE/NEEDLE SET 1.0	OPTIONAL
2	93860600	FLUID NOZZLE/NEEDLE SET 1.4	OPTIONAL
2-1	N/A	FLUID NOZZLE ONLY	SUPPLIED AS SET
2-2	N/A	FLUID NEEDLE ONLY	SUPPLIED AS SET
3	93834530	NEEDLE PACKING SET	
4	93581531	NEEDLE PACKING SEAT	
5	93839600	BODY SET/LPH200	
5	N/A	BODY SET/LPH2003	NOT SUPPLIED
5-1	93660300	AIR NIPPLE	
5-2	93515600	3/8" FLUID NIPPLE	LPH200
5-2	93161710	FLUID NIPPLE	LPH2003
5-3	93910710	GASKET/LPH2003	NOT SHOWN
6	93840601	PATTERN ADJ. SET	LPH200
6	93898600	PATTERN ADJ. SET	LPH200-LVP
7	93843530	AIR VALVE SEAT SET	
7-1	96638008	O RING	
8	93591530	AIR VALVE	
9	93719530	AIR VALVE SPRING	
10	93844531	FLUID ADJUST GUIDE SET	
11	93593530	FLUID NEEDLE SPRING	
12	93594532	FLUID ADJ. KNOB	
13	93595530	AIR VALVE SHAFT	
14	93845531	AIR ADJUST SET	
15	93667360	TRIGGER STUD	
16	93517600	TRIGGER LPH200/400 W400	
17	93912030	E STOPPER (2PCS/PK)	
18	96990600	CLEANING BRUSH	
	93512600	L GASKET	FOR AIR CAP
	93538600	CENTURY SERIES GUN WRENCH	
	5425	CENTURY SERIES GUN SERVICE KIT	3, 4, 7-1, 9, 11,15, 17
	6035	PC19B CUP FOR LPH2003	
	94003330	CHECK VALVE PLATE FOR PC19B	W2003
	2991	TEST CAP GAUGE SET	LPH200/LPH2003
	2992	TEST CAP GAUGE SET	LPH200LVP

LPH200 and LPH2003



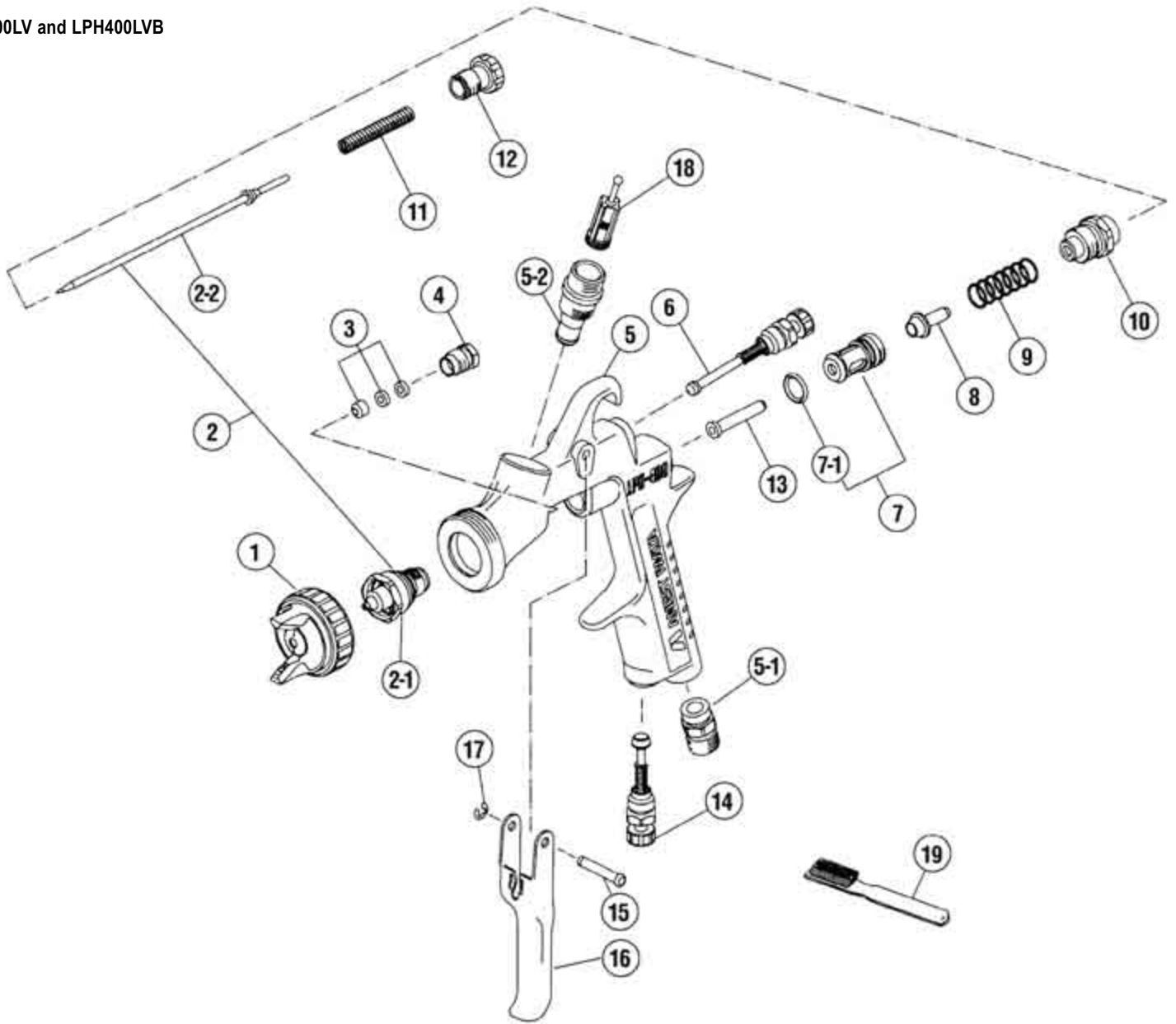


Spray Guns

LPH400LV and
LPH400LVB

Ref #	Part #	Description	Qty	Remarks
1	93843601	AIR CAP "J2"1.2 1.4 1.6		
1	93844600	AIR CAP "W1" 1.8		
1	93874601	AIR CAP "LV4" 1.2-1.8		LV SERIES
1	93524650	AIR CAP "LVB" 1.3 - 1.5		LVB SERIES
2	93848600	FLUID NOZZLE/NEEDLE SET 1.2		
2	93845600	FLUID NOZZLE/NEEDLE SET 1.4		
2	93846600	FLUID NOZZLE/NEEDLE SET 1.6		
2	93847600	FLUID NOZZLE/NEEDLE SET 1.8		
2	93880600	FLUID NOZZLE/NEEDLE SET 1.2LV		LV SERIES
2	93897600	FLUID NOZZLE/NEEDLE SET 1.3LV		LV SERIES
2	93873600	FLUID NOZZLE/NEEDLE SET 1.4LV		LV SERIES
2	93516650	FLUID NOZZLE/NEEDLE SET 1.5LV		LV SERIES
2	93882600	FLUID NOZZLE/NEEDLE SET 1.6LV		LV SERIES
2	93884600	FLUID NOZZLE/NEEDLE SET 1.8LV		LV SERIES
2-1	93531600	FLUID NOZZLE ONLY 1.2		
2-1	93528600	FLUID NOZZLE ONLY 1.4		
2-1	93529600	FLUID NOZZLE ONLY 1.6		
2-1	93530600	FLUID NOZZLE ONLY 1.8		
2-1	93552600	FLUID NOZZLE ONLY 1.2LV		LV SERIES
2-1	93896600	FLUID NOZZLE ONLY 1.3LV		LV SERIES
2-1	93547600	FLUID NOZZLE ONLY 1.4LV		LV SERIES
2-1	93515650	FLUID NOZZLE ONLY 1.5LV		LV SERIES
2-1	93553600	FLUID NOZZLE ONLY 1.6LV		LV SERIES
2-1	93554600	FLUID NOZZLE ONLY 1.8LV		LV SERIES
2-2	93829600	FLUID NEEDLE ONLY 1.2		NOT FOR P TYPE
2-2	93830600	FLUID NEEDLE ONLY 1.3-1.6		
2-2	93831600	FLUID NEEDLE ONLY 1.8		
3	93834530	NEEDLE PACKING SET		
4	93581531	NEEDLE PACKING SEAT		
5	93853600	BODY SET		
5-1	93660300	AIR NIPPLE		
5-2	93650531	FLUID NIPPLE		
6	93842601	PATTERN ADJ. SET		
7	93843530	AIR VALVE SEAT SET		
7-1	96638008	O RING		
8	93591530	AIR VALVE SEAT SET		
9	93719530	AIR VALVE SPRING		
10	93844531	FLUID ADJUST GUIDE SET		
11	93593530	NEEDLE SPRING		
12	93594532	FLUID ADJ. KNOB		
13	93595530	AIR VALVE SHAFT		
14	93845531	AIR ADJ. SET		
15	93667360	TRIGGER STUD		
16	93517600	TRIGGER		
17	93912030	E STOPPER (2 PCS/PK)		
18	93515500	FILTER		
19	96990600	CLEANING BRUSH		
	93512600	L GASKET		
	93538600	GUN WRENCH		
	5425	CENTURY SERIES GUN SERVICE KIT	3, 4, 7-1, 9, 11, 15, 17	
	2995	TEST CAP GAUGE SET LV		
	2996	TEST CAP GAUGE SET LVB		

LPH400LV and LPH400LVB



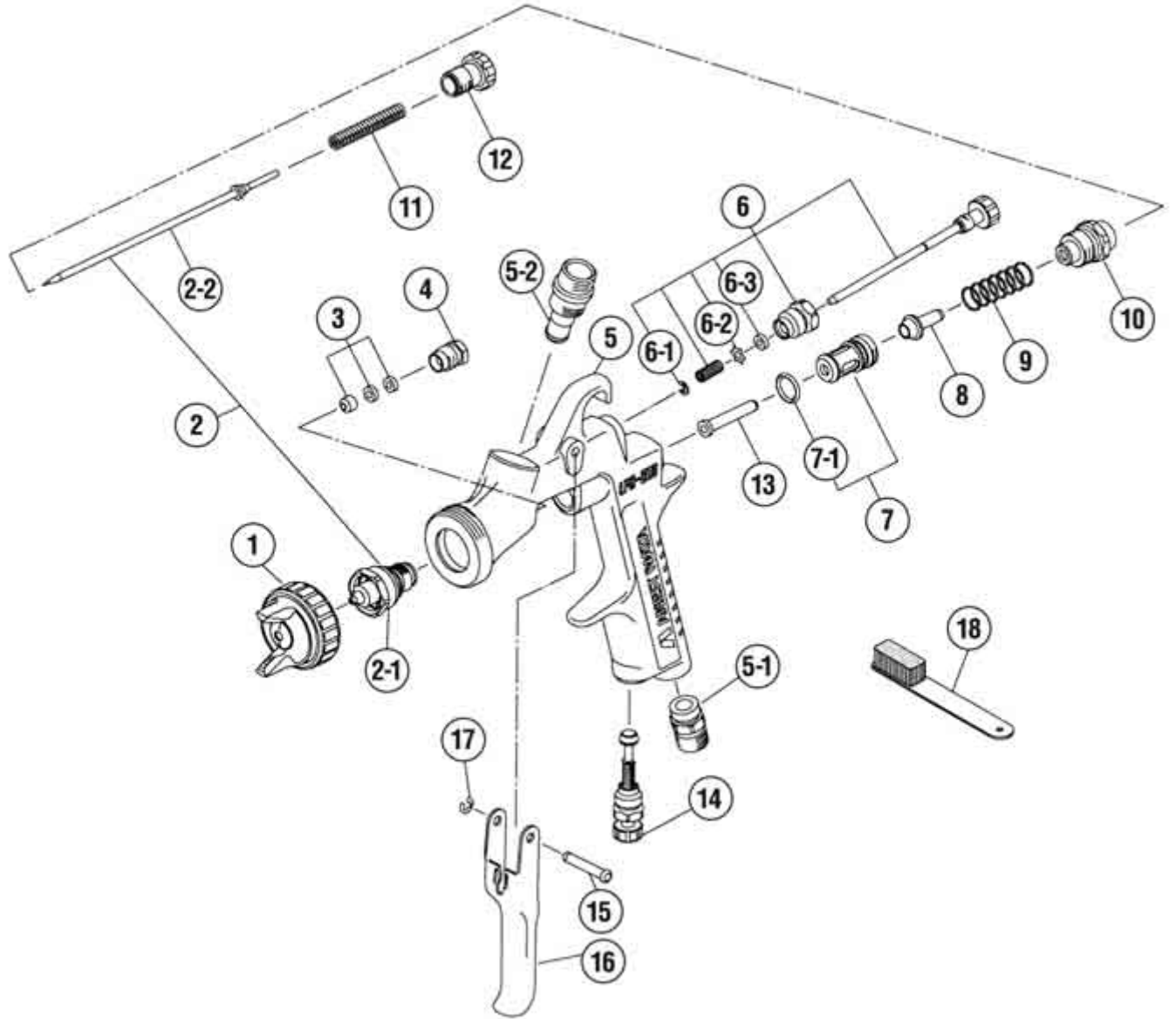


Manual Spray Guns

LPH300LV

Ref #	Part #	Description	Remarks
1	93875601	AIR CAP SET LV4	LV SERIES/LPH100
2	93867600	NOZZLE/NEEDLE SET 1.2 LV	LPH100-LVG
2	93623600	NOZZLE/NEEDLE SET 1.3 LV	
2	93862600	NOZZLE/NEEDLE SET 1.4 LV	LPH100-LVG
2	93869600	NOZZLE/NEEDLE SET 1.6 LV	LPH100-LVG
2	93871600	NOZZLE/NEEDLE SET 1.8 LV	LPH100-LVG
2	93621600	NOZZLE/NEEDLE SET 2.0 LV	
2-1	93544600	FLUID NOZZLE 1.2LV	LPH100-LVG
2-1	93624600	FLUID NOZZLE 1.3LV	
2-1	93542600	FLUID NOZZLE 1.4LV	LPH100-LVG
2-1	93545600	FLUID NOZZLE 1.6LV	LPH100-LVG
2-1	93546600	FLUID NOZZLE 1.8LV	LPH100-LVG
2-1	93622600	FLUID NOZZLE 2.0LV	
2-2	93578530	FLUID NEEDLE 1.2 thru 1.6	MARKED AS 13
2-2	93703530	1.8/2.0 FLUID NEEDLE	MARKED AS 18
3	93834530	NEEDLE PACKING SET	
4	93581531	NEEDLE PACKING SEAT	
5		GUN BODY	NOT AVAILABLE
5-1	93660300	AIR NIPPLE	
5-2	93575620	FLUID NIPPLE	
6	93577620	PATTERN ADJ.SET	
6-1	96610023	STOPPER	
6-2	96470358	WASHER	
6-3	93502540	BACK RING	
7	93843530	AIR VALVE SEAT SET	
7-1	96638008	O RING	
8	93591530	AIR VALVE SEAT SET	
9	93719530	AIR VALVE SPRING	
10	93844531	FLUID ADJUST GUIDE SET	
11	93593530	FLUID NEEDLE SPRING	
12	93594532	FLUID ADJ. KNOB	
13	93595530	AIR VALVE SHAFT	
14	93845531	AIR ADJ. SET	
15	93667360	TRIGGER STUD	
16	93597530	TRIGGER	
17	93912030	E STOPPER (2 PCS/PK)	
18	96990600	CLEANING BRUSH	
	93576530	L GASKET FOR AIR CAP	
	93538600	GUN WRENCH	
	5425	CENTURY SERIES GUN SERVICE KIT	3, 4, 7-1, 9, 11, 15, 17
	2985	TEST CAP GAUGE SET	

LPH300LV



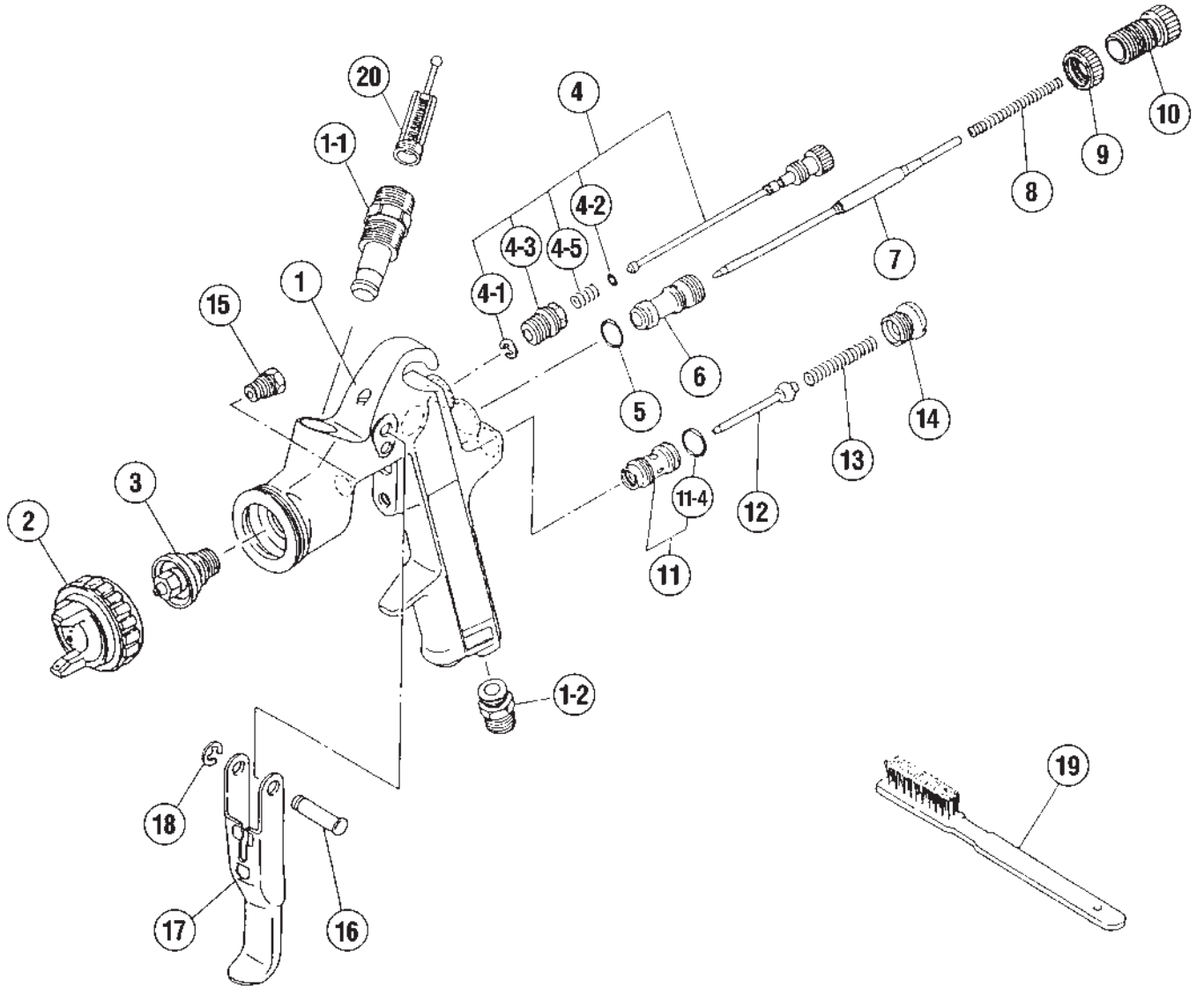


Manual Spray Guns

LPH94

Ref #	Part #	Description	Remarks
1	93876530	BODY SET	
1-1	93650531	FLUID NIPPLE	
1-2	93649530	AIR NIPPLE	
2	93877530	AIR CAP SET 161 (1.3 1.4 1.6 1.8)	
2	93811531	AIR CAP SET 142	
3	93681530	FLUID NOZZLE 1.3	
3	93665530	FLUID NOZZLE 1.4	
3	93655530	FLUID NOZZLE 1.6	
3	93661530	FLUID NOZZLE 1.8	
4	93881530	PATTERN ADJ. SET	
4-1	93843240	STOPPER (2 PCS/PK)	
4-2		O RING (SUPPLIED AS 501)	
4-3	93623362	PATTERN ADJ. GUIDE	
4-5	93624360	PATTERN ADJ. SPRING	
5		O RING (SUPPLIED AS 501)	
6	93564340	FLUID NEEDLE GUIDE	
7	93507501	FLUID NEEDLE SET 1.2	FOR 1.3
7	93508501	FLUID NEEDLE SET 1.5	FOR 1.4 THRU 1.6
7	93509501	FLUID NEEDLE SET 2.0	FOR 1.8
8	93569340	FLUID NEEDLE SPRING	
9	93554530	LOCK NUT	
10	93602341	FLUID ADJ.KNOB	
11	93830340	AIR VALVE SEAT SET	
11-4		O RING (SUPPLIED AS 501)	
12	93581340	AIR VALVE	
13	93088050	AIR VALVE SPRING	
14	93593340	AIR VALVE SPRING SEAT	
15	93800540	NEEDLE PACKING SET	
16	93667340	TRIGGER STUD	
17	93656530	TRIGGER	
18	93842240	STOPPER (2PK)	
19	96990600	CLEANING BRUSH	
20	93515500	FILTER	
501	93840341	O RING SET	
	93780341	GUN WRENCH	
	5250	LPH 94 SERVICE KIT	4-2, 5, 11-4, 15

LPH94



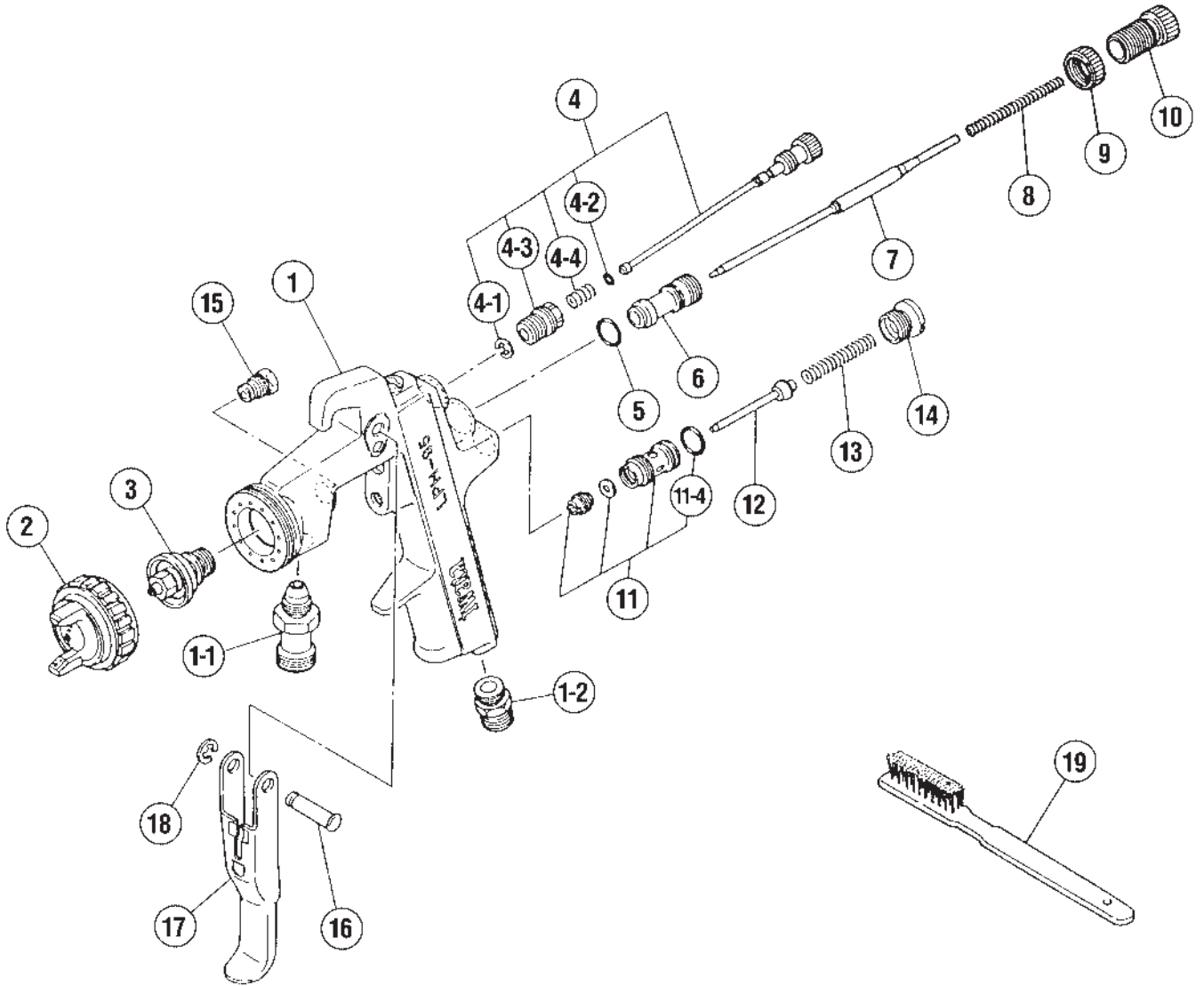


Manual Spray Guns

LPH95

Ref #	Part #	Description	Remarks
1	93860571	BODY SET	
1-1	93556570	FLUID NIPPLE	
1-2	93649530	AIR NIPPLE	
2	93861571	AIR CAP SET 161	
2	93866571	AIR CAP SET 181	
2	93870571	AIR CAP SET 201	
3	93558570	FLUID NOZZLE 1.6	
3	93564570	FLUID NOZZLE 1.8	
3	93567570	FLUID NOZZLE 2.0	
4	93862570	SPREAD ADJ. VALVE SET	
4-1	93843240	STOPPER (2 PCS/PK)	
4-2		O RING (SUPPLIED AS 501)	
4-3	93623362	SPREAD ADJ. GUIDE	
4-4	93624360	SPREAD ADJ. SPRING	
5		O RING (SUPPLIED AS 501)	
6	93564340	FLUID NEEDLE GUIDE	
7	93805341	FLUID NEEDLE SET 1.5	FOR 1.6
7	93806341	FLUID NEEDLE SET 2.0	FOR 1.8 AND 2.0
8	93569340	FLUID NEEDLE SPRING	
9	93554530	LOCK NUT	
10	93602341	FLUID ADJ. KNOB	
11	93830340	AIR VALVE SEAT SET	
11-4		O RING (SUPPLIED AS 501)	
12	93581340	AIR VALVE	
13	93088050	AIR VALVE SPRING	
14	93593340	AIR VALVE SPRING SEAT	
15	93875571	NEEDLE PACKING SET	
16	93667340	TRIGGER STUD	
17	93656530	TRIGGER	
18	93842240	STOPPER (2 PCS/PK)	
19	96990600	CLEANING BRUSH	
501	93840341	O RING SET	
	93780341	GUN WRENCH	
	5255	LPH 95 SERVICE KIT	4-2, 5, 11-4, 15

LPH95



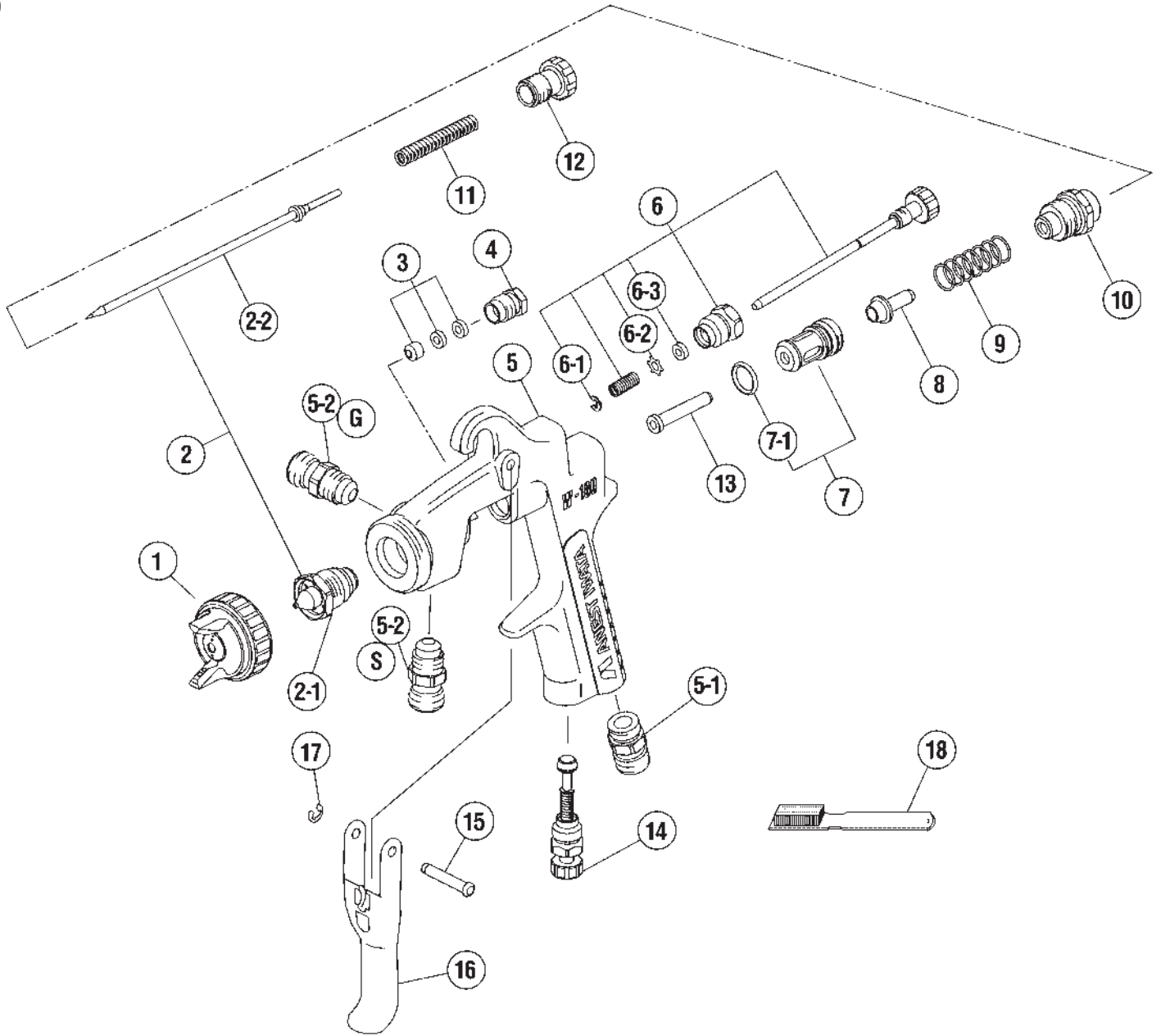


Manual Spray Guns

W100

Ref #	Part #	Description	Remarks
1	93800611	AIR CAP "H2"	132S/G,152S/G
1	93803611	AIR CAP "E1"	101S/G
1	93805611	AIR CAP "K1"	131S/G,151S/G
1	93806611	AIR CAP "H4"	134S/G
1	93808611	AIR CAP "N1"	181S/G
1	93810611	AIR CAP "E2P"	082P/102P/132P/152P
2	93887610	FLUID NOZZLE/NEEDLE SET 0.8	NOT SOLD SEPARATE
2	93888610	FLUID NOZZLE/NEEDLE SET 1.0	
2	93801610	FLUID NOZZLE/NEEDLE SET 1.3	
2	93807610	FLUID NOZZLE/NEEDLE SET 1.5	
2	93809610	FLUID NOZZLE/NEEDLE SET 1.8	
2-1	93506610	FLUID NOZZLE ONLY 1.0	
2-1	93501610	FLUID NOZZLE ONLY 1.3	
2-1	93509610	FLUID NOZZLE ONLY 1.5	
2-1	93511610	FLUID NOZZLE ONLY 1.8	
2-2	93578530	FLUID NEEDLE ONLY 1.3	USED FOR 1.3-1.5
2-2	93537600	FLUID NEEDLE ONLY 1.0 (MARKED AS 08)	FOR S/G TYPE
2-2	93703530	FLUID NEEDLE ONLY 1.8	
3	93834530	NEEDLE PACKING SET	
4	93581531	NEEDLE PACKING SEAT	
5	93802610	BODY SET SIPHON	
5	93812610	BODY SET GRAVITY	
5-1	93660300	AIR NIPPLE	
5-2	93584530	FLUID NIPPLE	
6	93842531	PATTERN ADJ. SET	
6-1	96610023	STOPPER	
6-2	96470358	WASHER	
6-3	93502540	BACK RING	
7	93843530	AIR VALVE SEAT SET	
7-1	96638008	O RING	
8	93591530	AIR VALVE	
9	93719530	AIR VALVE SPRING	
10	93844531	FLUID ADJUST GUIDE SET	
11	93593530	FLUID NEEDLE SPRING	
12	93594532	FLUID ADJ. KNOB	
13	93595530	AIR VALVE SHAFT	
14	93845531	AIR ADJ. SET	
15	93667360	TRIGGER STUD	
16	93597530	TRIGGER	
17	93912030	E STOPPER (2 PCS/PK)	
18	96990600	CLEANING BRUSH	
	93576530	L GASKET FOR AIR CAP	
	93538600	GUN WRENCH	
	5425	CENTURY SERIES GUN SERVICE KIT	3, 4, 7-1, 9, 11, 15, 17

W100



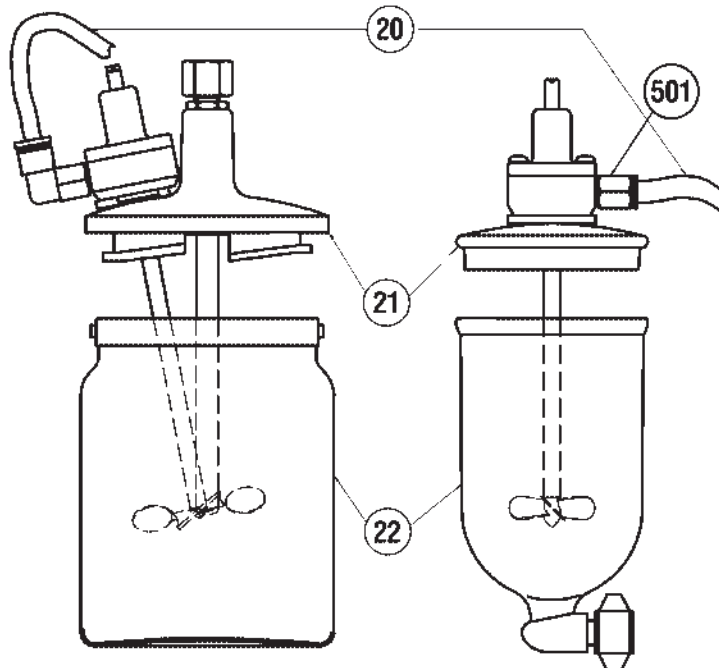
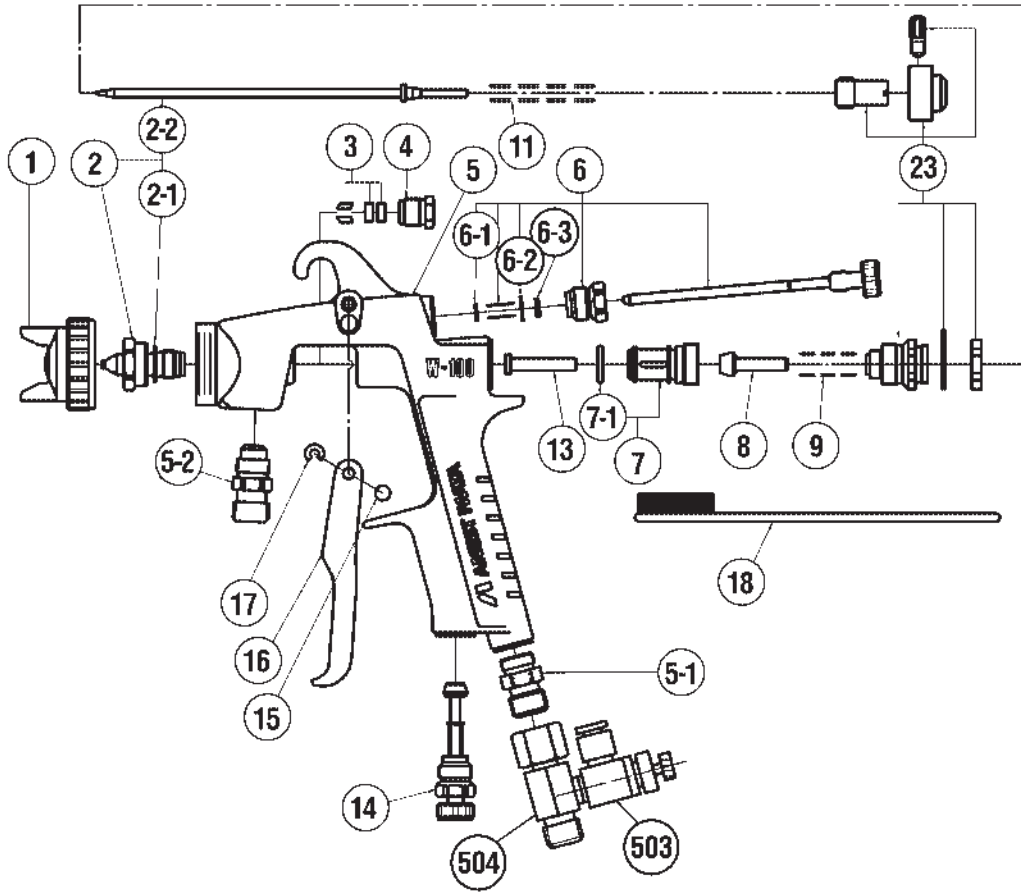


Manual Spray Guns

W100A

Ref #	Part #	Description	Remarks
1	93806611	AIR CAP "H4"	104G,134S/G
2	93801610	FLUID NOZZLE/NEEDLE SET 1.3	134S/G
2	93893610	FLUID NOZZLE/NEEDLE SET 1.0	W100/T10
2-1	93501610	FLUID NOZZLE ONLY 1.3	
2-1	93582610	FLUID NOZZLE ONLY 1.0	W100/T10
2-2	93578530	FLUID NEEDLE ONLY 1.3	
2-2	93537600	FLUID NEEDLE ONLY 1.0 (MARKED AS 08)	
3	93834530	NEEDLE PACKING SET	
4	93581531	NEEDLE PACKING SEAT	
5	93812610	BODY SET GRAVITY	
5	93802610	BODY SET SIPHON	
5-1	93660300	AIR NIPPLE	
5-2	93584530	FLUID NIPPLE	
6	93842531	PATTERN ADJ. SET	
6-1	96610023	STOPPER	
6-2	96470358	WASHER	
6-3	93502540	BACK RING	
7	93843530	AIR VALVE SEAT SET	
7-1	96638008	O RING	
8	93591530	AIR VALVE	
9	93719530	AIR VALVE SPRING	
11	93593530	FLUID NEEDLE SPRING	
13	93595530	AIR VALVE SHAFT	
14	93845531	AIR ADJ. SET	
15	93667360	TRIGGER STUD	
16	93597530	TRIGGER	
17	93912030	E STOPPER	
18	96990600	CLEANING BRUSH	
20	93500510	AIR TUBE	FOR GRAVITY CUP
20	93507510	AIR TUBE	FOR SIPHON CUP
21	93856610	AIR MOTOR/LID SET	FOR SIPHON CUP
21	93858610	AIR MOTOR/LID SET	FOR GRAVITY CUP
22	94000050	CONTAINER ONLY	PC2
22	94000092	CONTAINER ONLY	PC4S
23	93857610	QUICK FLUID ADJ.SET	
501	96801161	HALF UNION	
502	96800161	ELBOW UNION	
503	97992436	FLOW CONTROL VALVE SET	
504	93503510	ADAPTOR	
	93576530	L GASKET FOR AIR CAP	
	93538600	GUN WRENCH	
	5425	CENTURY SERIES GUN SERVICE KIT	3, 4, 7-1, 9, 11, 15, 17

W100A



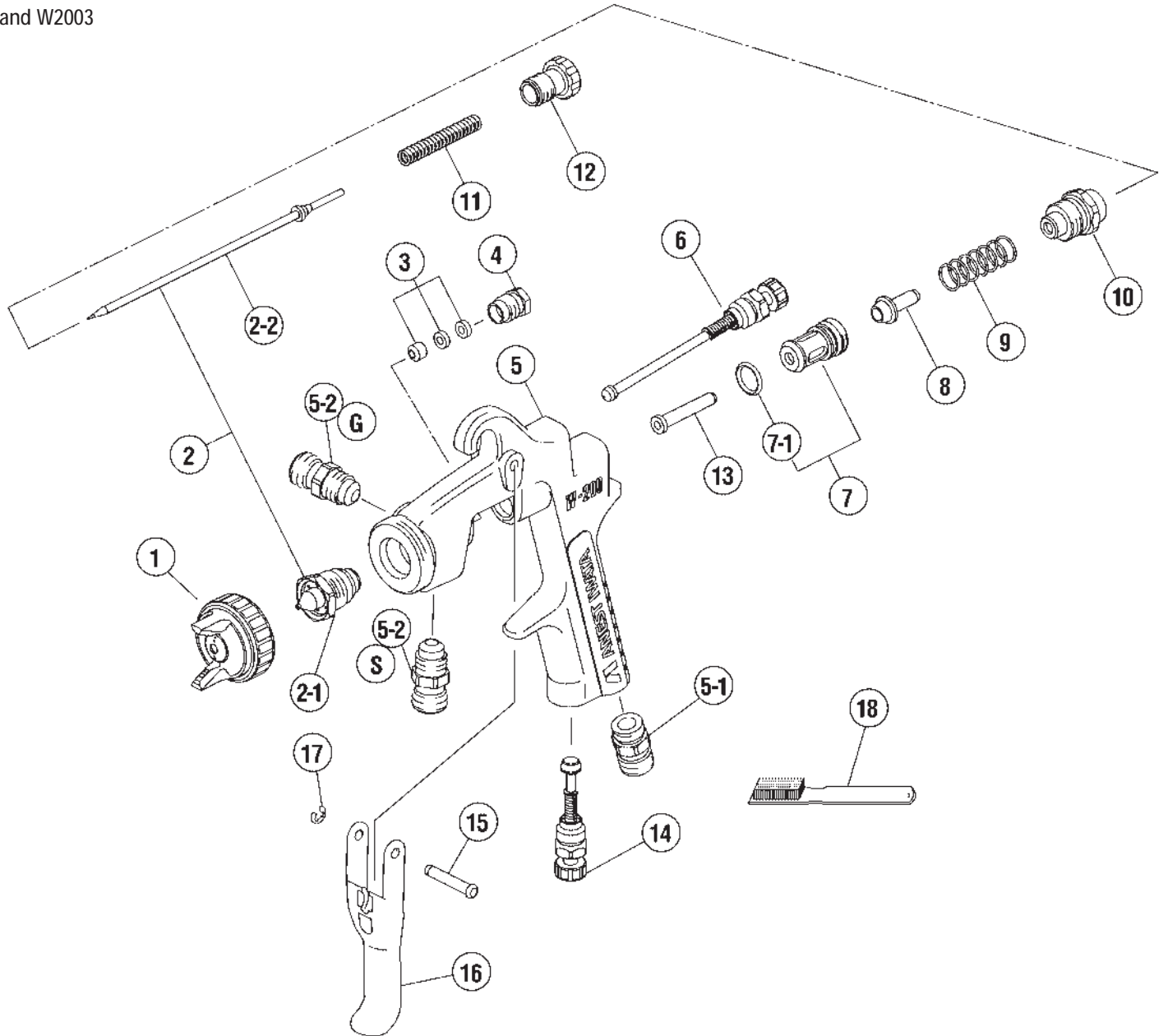


Manual Spray Guns

W200 and
W2003

Ref #	Part #	Description	Remarks
1	93813611	AIR CAP "W1"	251S/G
1	93814611	AIR CAP "R2"	202S/G
1	93815610	AIR CAP "R1"	201S/G, W2003
1	93816611	AIR CAP "K2"	152S/G,182S
1	93817611	AIR CAP "K1"	151S/G
1	93818611	AIR CAP "G2P"	122P
2	93819610	FLUID NOZZLE/NEEDLE SET 2.5	
2	93820610	FLUID NOZZLE/NEEDLE SET 2.0	W200/W2003
2	93821610	FLUID NOZZLE/NEEDLE SET 1.8	
2	93822610	FLUID NOZZLE/NEEDLE SET 1.5	
2	93891610	FLUID NOZZLE/NEEDLE SET 1.2	
2-1	93523610	FLUID NOZZLE ONLY 2.5	
2-1	93524610	FLUID NOZZLE ONLY 2.0	
2-1	93525610	FLUID NOZZLE ONLY 1.8	
2-1	93526610	FLUID NOZZLE ONLY 1.5	
2-1	93527610	FLUID NOZZLE ONLY 1.2	
2-2	93831600	FLUID NEEDLE ONLY 2.0	FOR 1.8/2.0
2-2	93832600	FLUID NEEDLE ONLY 2.5	
2-2	93885610	FLUID NEEDLE ONLY 1.2	P TYPE
2-2	93830600	FLUID NEEDLE ONLY 1.5	
3	93834530	NEEDLE PACKING	
4	93581531	NEEDLE PACKING SEAT	
5	93826610	GUN BODY/SIPHON	
5	93827610	GUN BODY/GRAVITY	
5	N/A	GUN BODY/W2003	
5-1	93660300	AIR NIPPLE	
5-2	93515600	FLUID NIPPLE	
5-2	93161710	FLUID NIPPLE/W2003	
5-3	93910710	GASKET/W2003 (2PCS/PK)	NOT SHOWN
6	93840601	PATTERN ADJ. SET	
7	93843530	AIR VALVE SEAT SET	
7-1	96638008	O RING	
8	93591530	AIR VALVE	
9	93719530	AIR VALVE SPRING	
10	93844531	FLUID ADJUST GUIDE SET	
11	93593530	FLUID NEEDLE SPRING	
12	93594532	FLUID ADJ. KNOB	
13	93595530	AIR VALVE SHAFT	
14	93845531	AIR ADJ. SET	
15	93667360	TRIGGER STUD	
16	93517600	TRIGGER	
17	93912030	E STOPPER (2 PCS/PK)	
18	96990600	CLEANING BRUSH	
	93512600	L GASKET FOR AIR CAP	AIR CAP RING
	93538600	GUN WRENCH	
	5425	CENTURY SERIES GUN SERVICE KIT	3, 4, 7-1, 9, 11, 15, 17
	6035	PC19B CUP FOR W2003	
	94003330	CHECK VALVE PLATE FOR PC19B	W2003

W200 and W2003



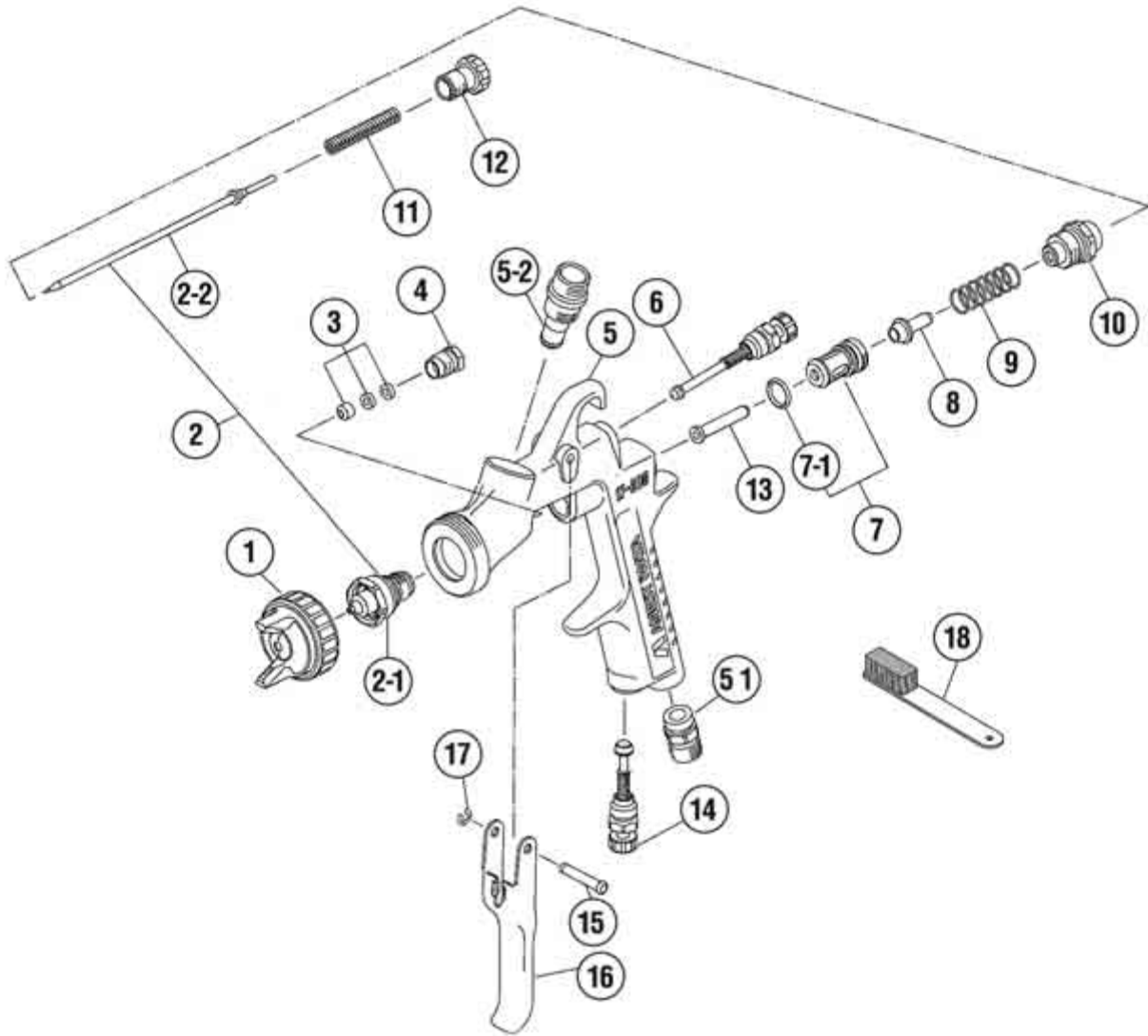


Manual Spray Guns

W300

Ref #	Part #	Description	Remarks
1	93803611	AIR CAP SET E1	
1	93805611	AIR CAP SET K1	
1	93800611	AIR CAP SET H2	132
1	93806611	AIR CAP SET H4	134
2	93590620	NOZZLE/NEEDLE SET 0.8	
2	93600620	NOZZLE/NEEDLE SET 1.0	
2	93801610	NOZZLE/NEEDLE SET 1.3	132 & 134
2-1	93513610	FLUID NOZZLE 0.8	
2-1	93582610	FLUID NOZZLE 1.0	
2-1	93501610	FLUID NOZZLE 1.3	132 & 134
2-2	93589620	0.8 FLUID NEEDLE	0.8 & 1.0
2-2	93578530	1.3 FLUID NEEDLE	
3	93834530	NEEDLE PACKING SET	
4	93581531	NEEDLE PACKING SEAT	
5	N/A	GUN BODY	NOT AVAILABLE
5-1	93660300	AIR NIPPLE	
5-2	93575620	FLUID NIPPLE	
6	93577620	PATTERN ADJ.SET	
7	93843530	AIR VALVE SEAT SET	
7-1	96638008	O RING	
8	93591530	AIR VALVE	
9	93719530	AIR VALVE SPRING	
10	93844531	FLUID ADJUST GUIDE SET	
11	93593530	FLUID NEEDLE SPRING	
12	93594532	FLUID ADJ. KNOB	
13	93595530	AIR VALVE SHAFT	
14	93845531	AIR ADJ. SET	
15	93667360	TRIGGER STUD	
16	93597530	TRIGGER	
17	93912030	E STOPPER (2 PCS/PK)	
18	96990600	CLEANING BRUSH	
	93576530	L GASKET FOR AIR CAP	
	93538600	GUN WRENCH	
	5425	CENTURY SERIES GUN SERVICE KIT	3, 4, 7-1, 9, 11, 15, 17

W300



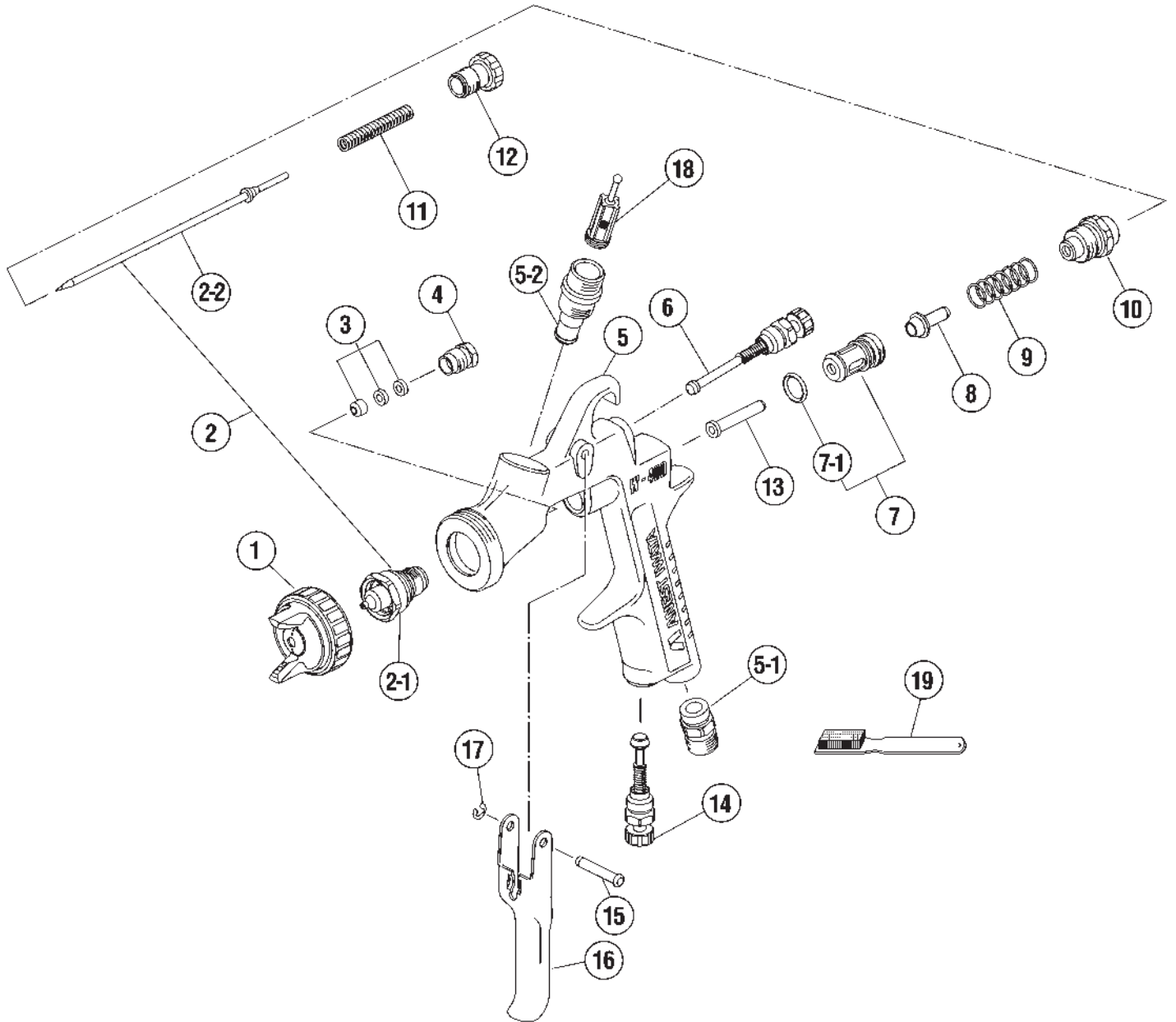


Manual Spray Guns

W400

Ref #	Part #	Description	Remarks
1	93813611	AIR CAP "W1"	FOR 251
1	93830611	AIR CAP "LV2"	FOR 122 THRU 162
1	93859611	AIR CAP "LV1"	FOR 182
2	93891610	NOZZLE/NEEDLE SET 1.2	
2	93881610	NOZZLE/NEEDLE SET 1.3	
2	93831610	NOZZLE/NEEDLE SET 1.4	
2	93832610	NOZZLE/NEEDLE SET 1.6	
2	93821610	NOZZLE/NEEDLE SET 1.8	
2	93819610	NOZZLE/NEEDLE SET 2.5	
2-1	93527610	FLUID NOZZLE ONLY 1.2	
2-1	93611610	FLUID NOZZLE ONLY 1.3	
2-1	93540610	FLUID NOZZLE ONLY 1.4	
2-1	93541610	FLUID NOZZLE ONLY 1.6	
2-1	93525610	FLUID NOZZLE ONLY 1.8	
2-1	93523610	FLUID NOZZLE ONLY 2.5	
2-2	93829600	FLUID NEEDLE ONLY 1.2	
2-2	93830600	FLUID NEEDLE ONLY 1.3/1.4/1.6	MARKED AS 15
2-2	93831600	FLUID NEEDLE ONLY 1.8	MARKED AS 20
2-2	93832600	FLUID NEEDLE ONLY 2.5	
3	93834530	NEEDLE PACKING	
4	93581531	NEEDLE PACKING SEAT	
5	93825610	W400 TWILIGHT BODY	
5-1	93660300	AIR NIPPLE	
5-2	93650531	FLUID NIPPLE	
6	93842601	PATTERN ADJ. SET	
7	93843530	AIR VALVE SEAT SET	
7-1	96638008	O RING	
8	93591530	AIR VALVE	
9	93719530	AIR VALVE SPRING	
10	93844531	FLUID ADJUST GUIDE SET	
11	93593530	FLUID NEEDLE SPRING	
12	93594532	FLUID ADJ. KNOB	
13	93595530	AIR VALVE SHAFT	
14	93845531	AIR ADJ. SET	
15	93667360	TRIGGER STUD	
16	93517600	TRIGGER	
17	93912030	E STOPPER (2 PCS/PK)	
18	93515500	FILTER	
19	96990600	CLEANING BRUSH	
	93512600	L GASKET FOR AIR CAP	
	93538600	GUN WRENCH	
	5425	CENTURY SERIES GUN SERVICE KIT	3, 4, 7-1, 9, 11, 15, 17

W400



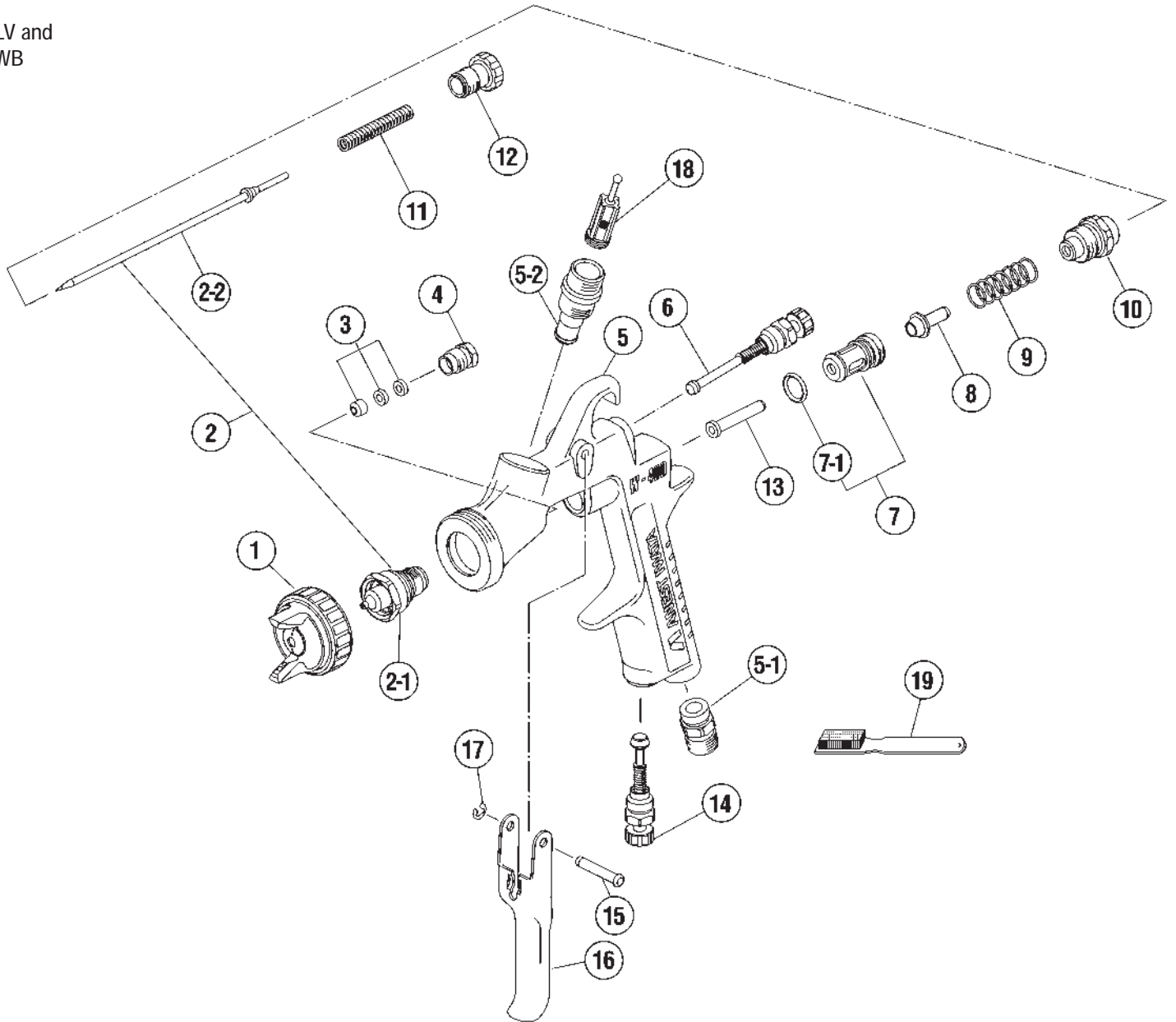


Manual Spray Guns

W400LV
and
W400WB

Ref #	Part #	Description	Remarks
1	93631620	AIR CAP SET LV4	W400LV
1	93896610	AIR CAP SET WB1	W400WB
2	93626610	NOZZLE/NEEDLE SET 1.0	W400WB
2	93627610	NOZZLE/NEEDLE SET 1.2	W400LV / W400WB
2	93634610	NOZZLE/NEEDLE SET 1.3	W400LV
2	93628610	NOZZLE/NEEDLE SET 1.4	W400LV / W400WB
2	93622620	NOZZLE/NEEDLE SET 1.6	W400LV
2	93635620	NOZZLE/NEEDLE SET 1.8	W400LV
2-1	93623610	FLUID NOZZLE ONLY 1.0	W400WB
2-1	93624610	FLUID NOZZLE ONLY 1.2	W400LV / W400WB
2-1	93633610	FLUID NOZZLE ONLY 1.3	W400LV
2-1	93625610	FLUID NOZZLE ONLY 1.4	W400LV / W400WB
2-1	93621620	FLUID NOZZLE ONLY 1.6	W400LV
2-1	93636620	FLUID NOZZLE ONLY 1.8	W400LV
2-2	93829600	FLUID NEEDLE ONLY 1.2	
2-2	93830600	FLUID NEEDLE ONLY 1.3/1.4/1.6	MARKED AS 15
2-2	93831600	FLUID NEEDLE ONLY 1.8	MARKED AS 20
3	93834530	NEEDLE PACKING SET	
4	93581531	NEEDLE PACKING SEAT	
5	93825610	W400 TWILIGHT BODY	
5-1	93660300	AIR NIPPLE	
5-2	93650531	FLUID NIPPLE	
6	93842601	PATTERN ADJ. SET	
7	93843530	AIR VALVE SEAT SET	
7-1	96638008	O RING	
8	93591530	AIR VALVE	
9	93719530	AIR VALVE SPRING	
10	93844531	FLUID ADJUST GUIDE SET	
11	93593530	FLUID NEEDLE SPRING	
12	93594532	FLUID ADJ. KNOB	
13	93595530	AIR VALVE SHAFT	
14	93845531	AIR ADJ. SET	
15	93667360	TRIGGER STUD	
16	93517600	TRIGGER	
17	93912030	E STOPPER (2 PCS/PK)	
18	93515500	FILTER	
19	96990600	CLEANING BRUSH	
	93512600	L GASKET	
	93538600	GUN WRENCH	
	5425	CENTURY SERIES GUN SERVICE KIT	3, 4, 7-1, 9, 11, 15, 17

W400LV and
W400WB



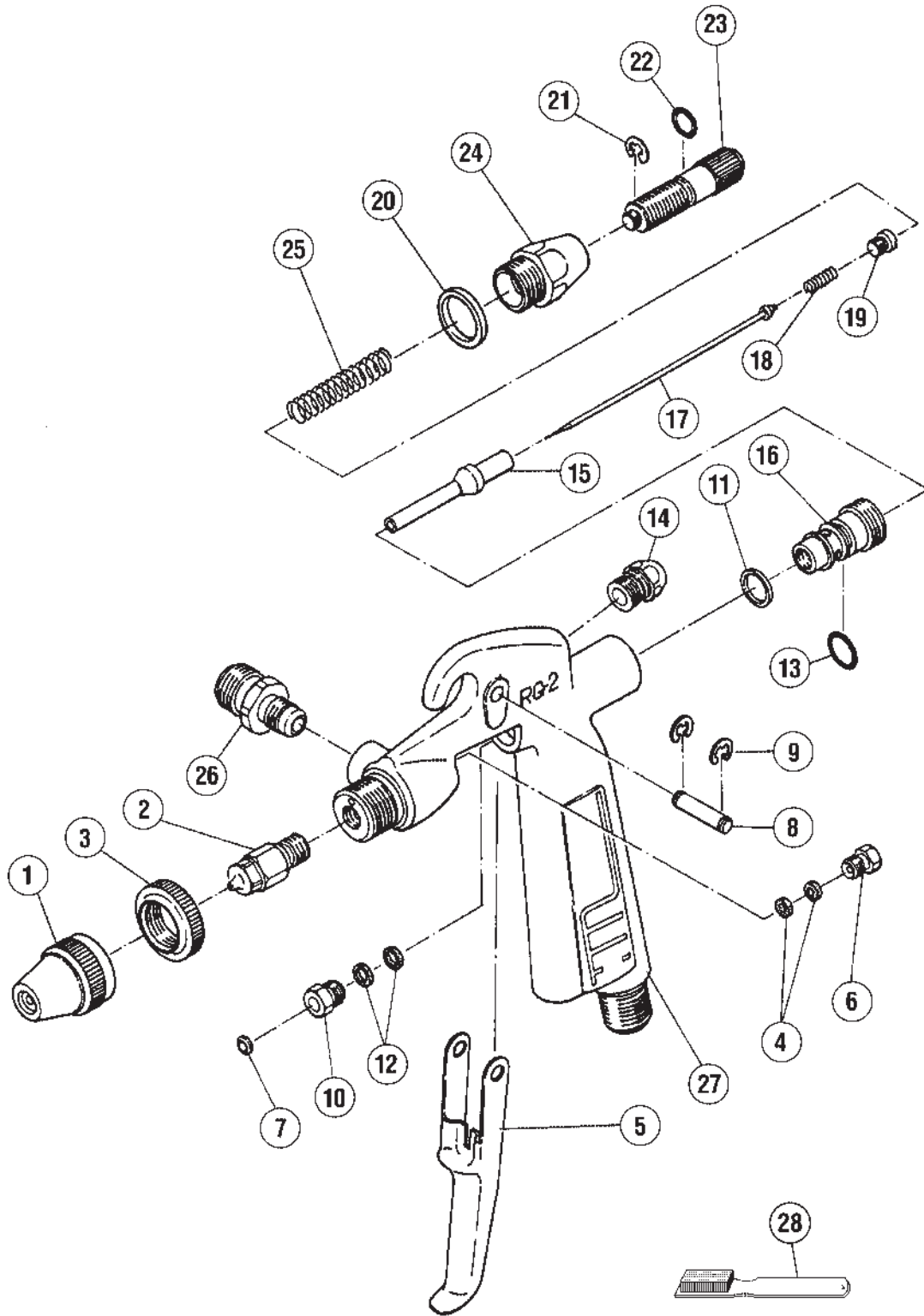


Manual Spray Guns

RG2

Ref #	Part #	Description	Remarks
1	93022890	AIR CAP (1)	
1	93025880	AIR CAP (2)	
1	93021890	AIR CAP (3)	
1	93023880	FAN PATTERN AIR CAP (S3)	
2	93042880	FLUID NOZZLE (1)	
2	93041880	FLUID NOZZLE (2)	
2	93040890	FLUID NOZZLE (3)	
3	93028890	JAM NUT	
4	93902880	NEEDLE PACKING	
5	93162890	TRIGGER	
6	93067890	NEEDLE PACKING SEAT	
7	93164880	WASHER	
8	93167890	TRIGGER STUD	
9	93912030	E STOPPER (2 PCS/PK)	
10	93086880	AIR VALVE PACKING SEAT	
11	93089880	GASKET	
12	93908880	AIR VALVE PACKING	
13	96638005	O RING	SUPPLIED AS 501
14	93125880	BLANKING SCREW	
15	93081881	AIR VALVE	
16	93083890	AIR VALVE SEAT	
17	93905880	FLUID NEEDLE (1)	
17	93904880	FLUID NEEDLE (2)	
17	93906880	FLUID NEEDLE (3)	
18	93069890	NEEDLE SPRING	
19	93070880	NEEDLE SPRING STOPPER	
20	93909880	PACKING	
21	93843240	STOP RING	
22	96638005	O RING	SUPPLIED AS 501
23	93102890	FLUID ADJ. KNOB	
24	93100890	FLUID ADJ.GUIDE	
25	93088890	AIR VALVE SPRING	
26	93161890	FLUID JOINT	
27	93000890	GUN BODY	
28	96990600	CLEANING BRUSH	
501	93901880	O RING SET	
	93280880	GUN WRENCH	
	2850	RG2 SERVICE KIT	4, 6, 7, 9, 12, 20, 501

RG2



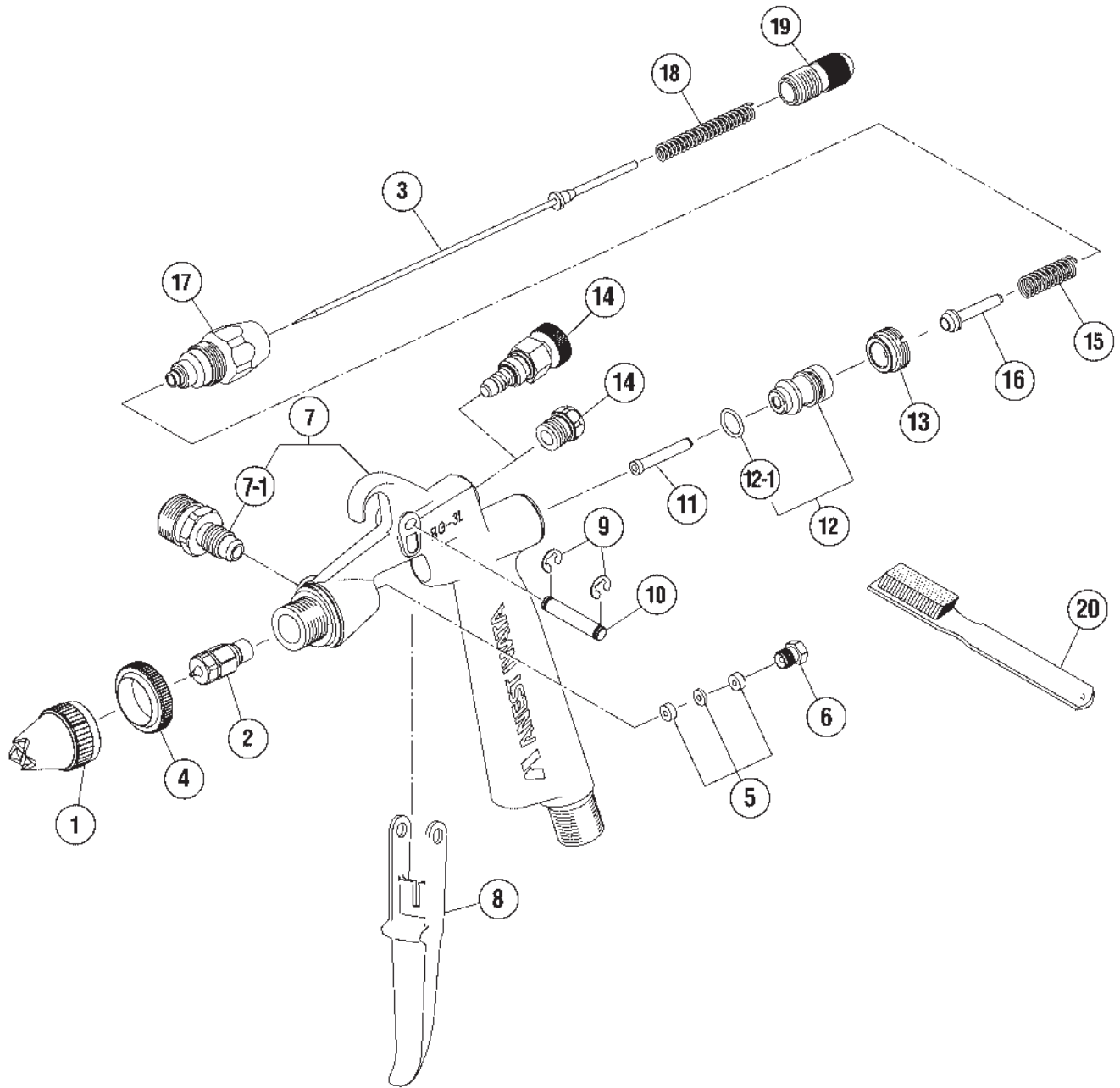


Manual Spray Guns

RG3L

Ref #	Part #	Description	Remarks
1	93022890	AIR CAP (1)	
1	93025880	AIR CAP (2)	
1	93026880	AIR CAP (3)	
2	93042880	FLUID NOZZLE (1)	RG2
2	93041880	FLUID NOZZLE (2)	RG2
2	93040890	FLUID NOZZLE (3)	RG2
3	93910880	FLUID NEEDLE SET (1)	
3	93937880	FLUID NEEDLE SET (2)	
3	93938880	FLUID NEEDLE SET (3)	
4	93028890	JAM NUT	RG2
5	93940880	NEEDLE PACKING SET	
6	93001890	NEEDLE PACKING SEAT	
7	93911880	GUN BODY SET	WITH 7-1
7-1	93005890	FLUID JOINT	
8	93162890	TRIGGER	RG2
9	93912030	E STOPPER	2PCS/PK
10	93167890	TRIGGER STUD	RG2
11	93006880	AIR VALVE SHAFT	
12	93912880	AIR VALVE SEAT SET	
12-1	96638005	O RING	RG2
13	93011880	AIR VALVE SEAT SCREW	
14	93027880	BLANKING PLUG	RG3L
14	93939880	AIR ADJUST SET	RG3L-11/12/13
15	93012880	AIR VALVE SPRING	
16	93013880	AIR VALVE	
17	93936880	FLUID ADJUST GUIDE SET	
18	93015880	NEEDLE SPRING	
19	93017880	FLUID ADJUST KNOB	
20	96990600	CLEANING BRUSH	
	93280881	GUN WRENCH	
	2860	RG3L/LPH50 SERVICE KIT	5, 6, 9, 12-1

RG3L



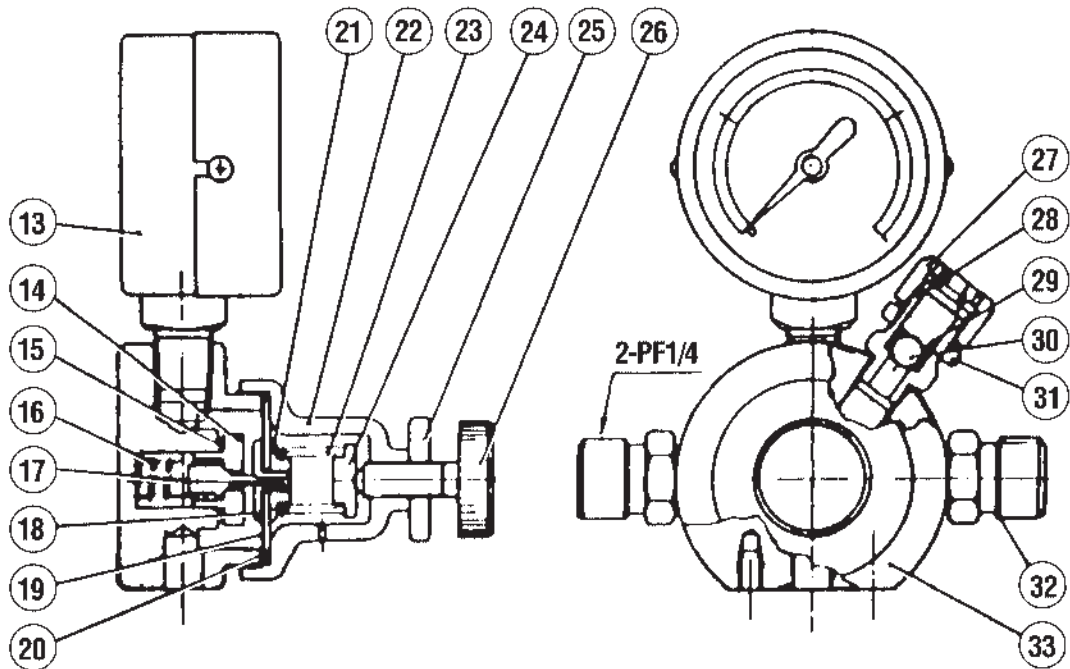
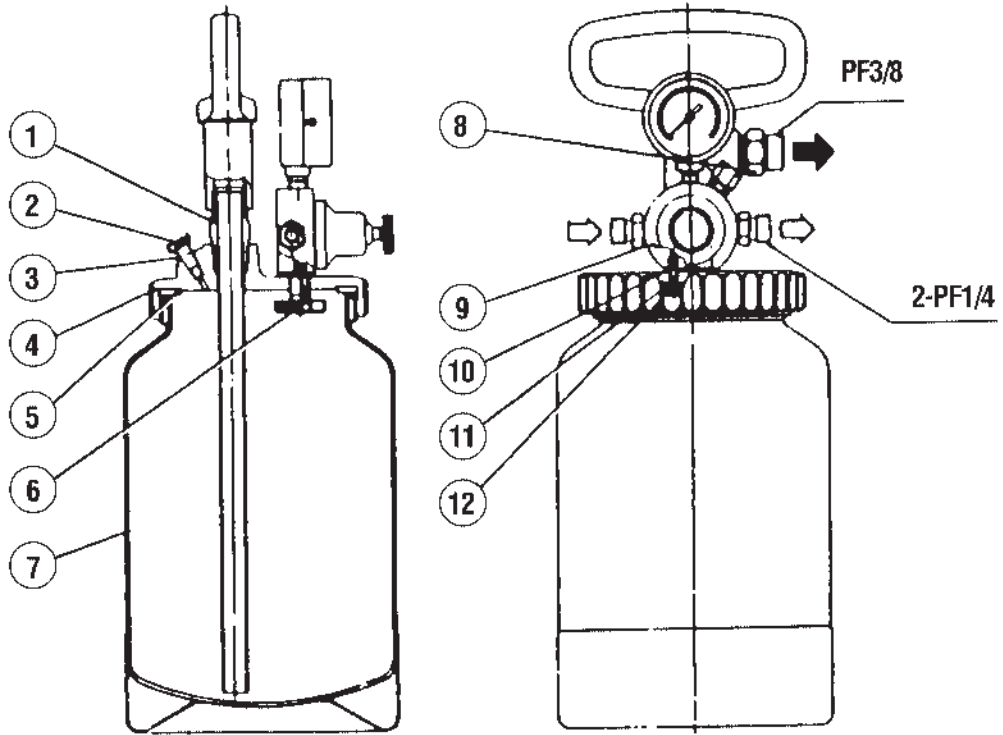


Cups & Containers

PC18B

Ref #	Part #	Description	Remarks
1	94902151	SUCTION PIPE SET	
2	94036210	EXHAUST VALVE	
3	91056011	UNLOADER SPRING	
4	94001152	LID	
5	94900210	LID PACKING (2 PCS/PK)	
6	94904151	CHECK VALVE SET	
6-1	94030152	CHECK VALVE BODY	
6-2	94034210	CHECK VALVE STEM	
6-3	94035210	CHECK VALVE PLATE	
6-4	95104101	SPRING	
6-5	96162040	SCREW	
6-6	96612020	STOPPER	
7	94901151	CONTAINER ONLY	
8	94750501	JOINT	
9	15088061	RR72B REGULATOR	
10	94033153	REGULATOR PACKING	
11	96500406	SPRING WASHER	
12	96260467	HEXAGON BOLT	
13	97201091	PRESSURE GAUGE	
14	94744281	VALVE HOLDER	
15	93094610	PACKING-BLANKING COVER	
16	94734270	VALVE SPRING	
17	94736272	VALVE	
18	94722272	DIAPHRAGM HOLDER	
19	94726272	DIAPHRAGM COVER	
20	94705272	DIAPHRAGM	
21	94724271	DIAPHRAGM SEAT	
22	94704270	DIAPHRAGM CAP	
23	94720250	ADJUSTING SPRING	
24	94721250	SPRING STOPPER	
25	94710250	NUT	
26	94719250	ADJUSTING SCREW	
27	94758250	SAFETY VALVE CAP	
28	94757252	SAFETY VALVE BODY	
29	94031210	SAFETY VALVE SPRING	
30	93315001	BALL VALVE	
31	94717250	HEX NUT	
32	93010080	AIR INLET NIPPLE	
33	94700273	MAIN BODY	

PC18B



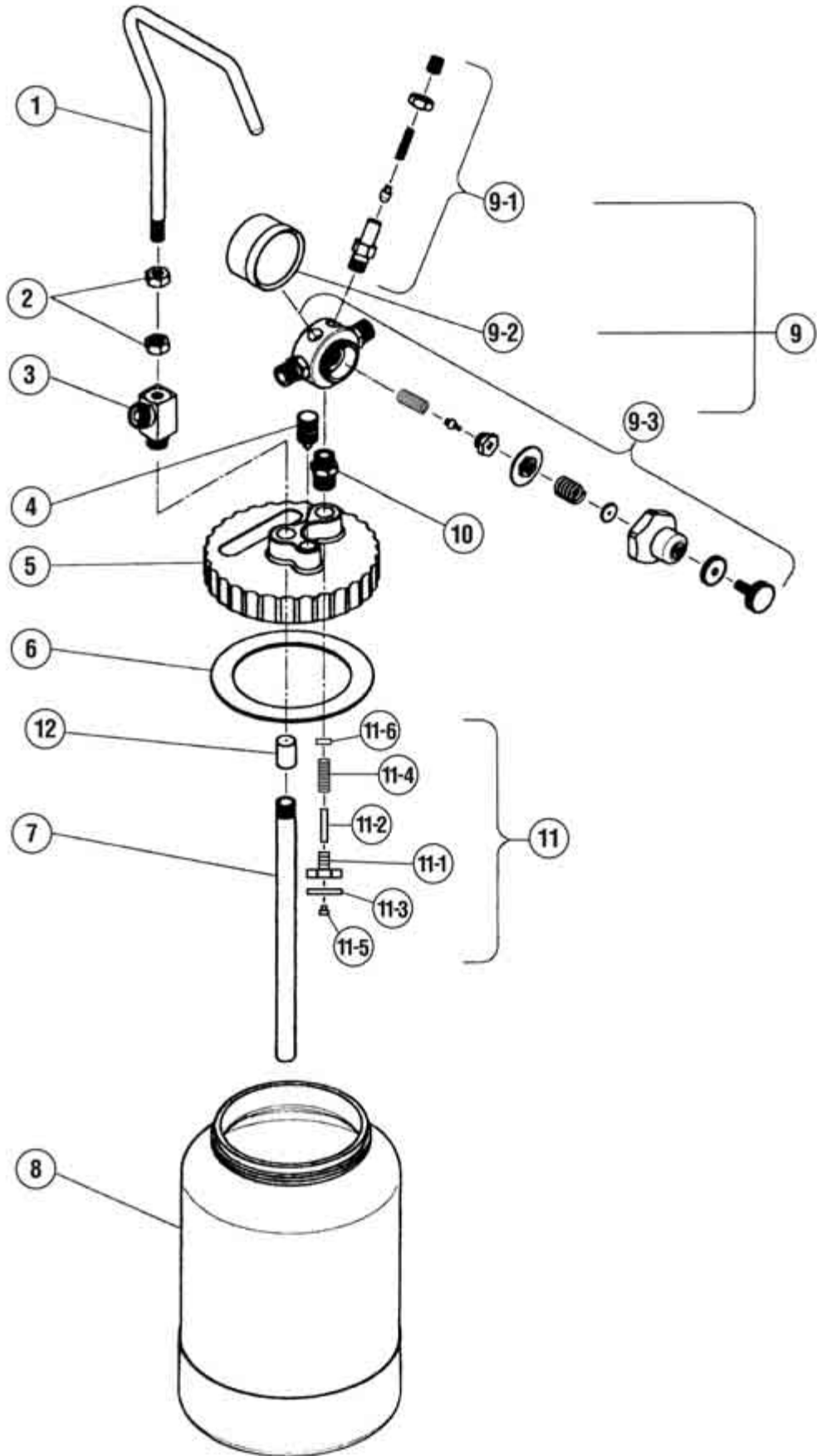


Cups & Containers

PC18C

Ref #	Part #	Description	Remarks
1	94040350	HANDLE	
2		HEX NUT	INCLUDED IN NO. 1
3	94004350	FLUID JOINT	
3	94044350	FLUID JOINT	PC18CT
4	94003350	RELIEF VALVE	
5	94002350	LID	
5	94043350	LID	PC18CT
6	94900210	LID PACKING	2PCS/PACK (PC18B)
7	94001350	SUCTION TUBE	
7	94042350	SUCTION TUBE	PC18CT
8	94000350	CONTAINER ONLY	
8	94041350	CONTAINER ONLY	PC18CT
9	94005360	AIR REGULATOR	
9-1	94007350	SAFETY VALVE	
9-2	94006350	PRESSURE GAUGE	
9-3	94013350	REGULATOR BODY SET	
10	94027350	REGULATOR JOINT	
11	94904151	CHECK VALVE	
11-1	94030152	CHECK VALVE BODY	
11-2	94034210	CHECK VALVE STEM	
11-3	94035210	CHECK VALVE PLATE	
11-4	95104101	SPRING	
11-5	96162040	SCREW	
11-6	96612020	STOPPER	
12	94045350	COLLAR	PC18CT

PC18C

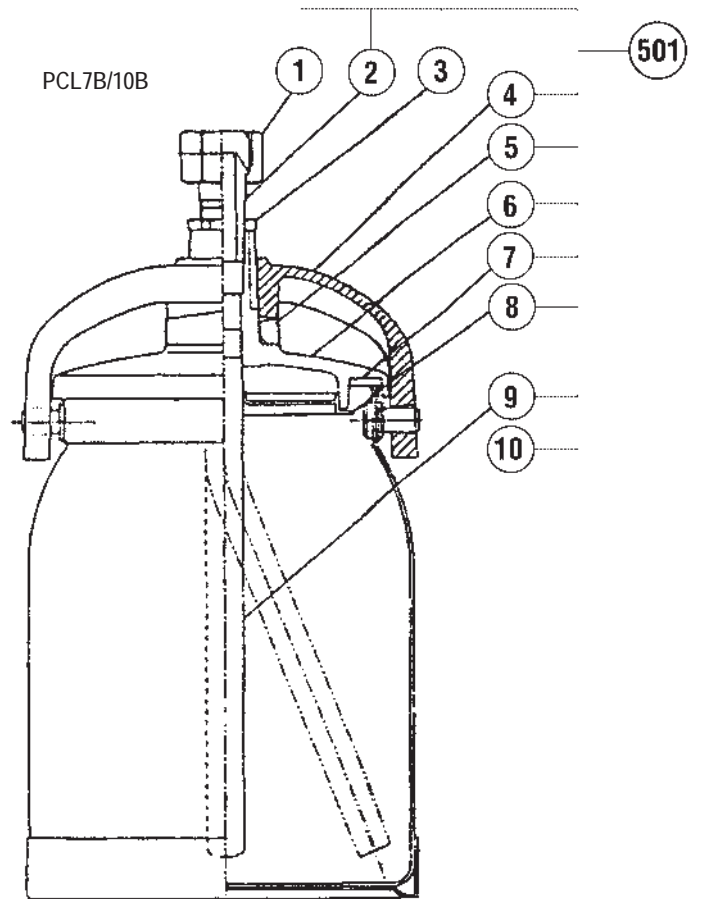
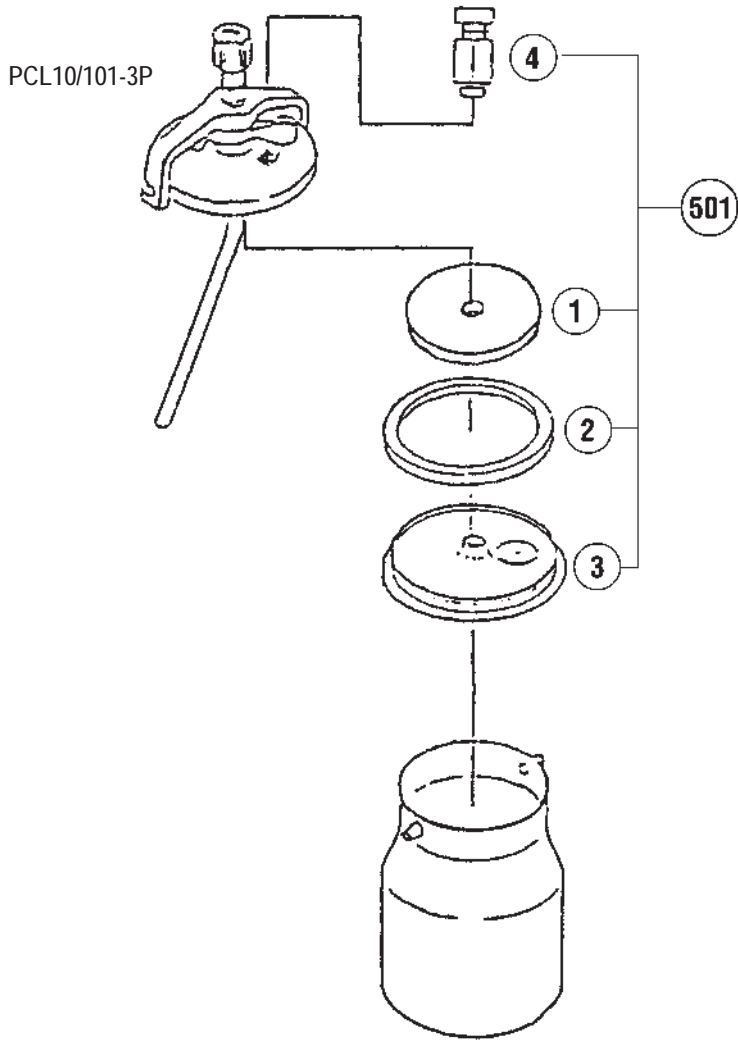




Cups & Containers

PC4/4S/5
 PCG6P/7M/10M
 PCL7B/10B
 PCL10/101-3P
 PC19B

Ref #	Part #	Description	Remarks
PC4/4S/5			
	94001080	LID PC4/4S	
	94001100	LID PC-5	
PCG6P/7M/10M/7-2/4-2/2-2			
	94003320	PCG6P VENT KNOB	
	94002321	PCG6P-2/3/M LID	
	94008320	PCG7M/10M LID/7-2/4-2 LID	
	94007320	PCG2-2 LID	
PCL7B/10B			
	8	94904302	PC PLATE
	7	94008300	LID PACKING (2 PCS/PK)
501		94901300	7B-2 LID SET
501		94901311	7B-3 LID SET
501		94901281	10B-2 LID SET
501		94901291	10B-3 LID SET
PCL10/101-3P			
	2	93521541	PCL10/101 LID GASKET
	3	94037292	PCL10/101 PC PLATE
	1	94003330	PCL101 CHECK VALVE
	4	94903141	PCL101 EXHAUST VALVE SET
501		94003281	PCL10 LID ASSEMBLY
501		94900330	PCL101 LID ASSEMBLY
PC19B			
	94903170	PC19B LID PACKING (2 PCS/PK)	W2003/LPH2003
	94003330	PC101 CHECK VALVE	W2003/LPH2003



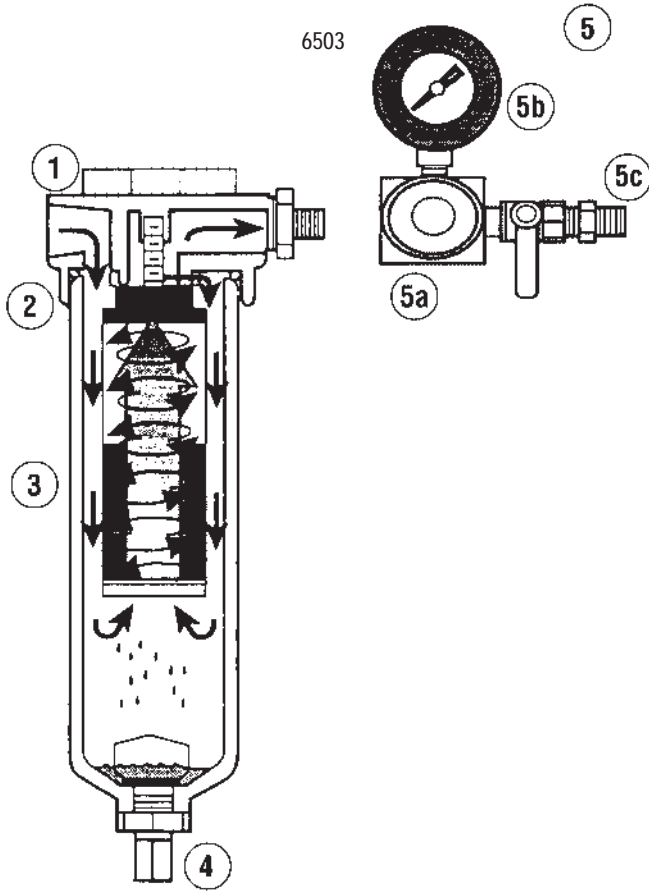


Sahara Dryers

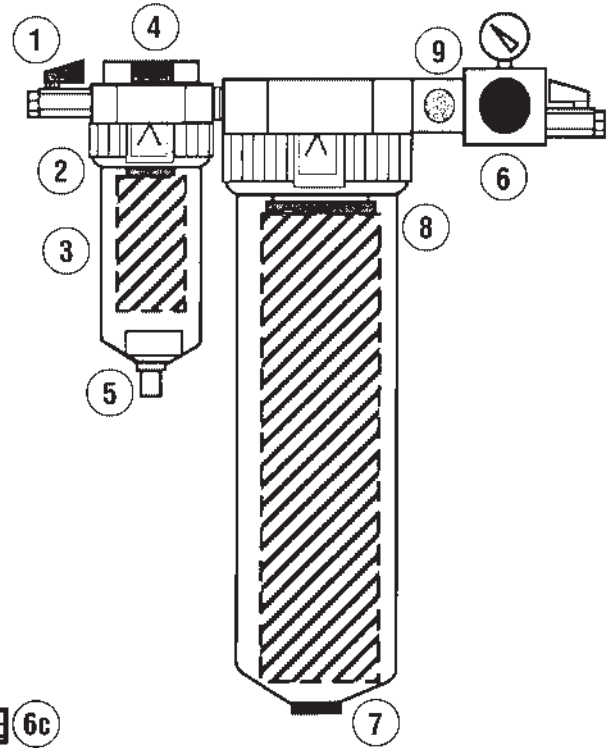
6500
6504
6600
6700
6503
6712

Ref #	Part #	Description	Remarks
6500/6504			
	1	6652	DIFFERENTIAL PRESSURE INDICATOR FOR 6500
	2	6550	O RING
	3	6551	FIRST STAGE ELEMENT FOR 6500
	3	6651	SECOND STAGE ELEMENT FOR 6504
	4	6552	AUTO DRAIN ASSEMBLY FOR 6500
	4	6554	MANUAL DRAIN KIT FOR 6504
	5	6503	AIR REGULATOR W/GAUGE, VALVE
6600			
	1	6652	DIFFERENTIAL PRESSURE INDICATOR
	2	6550	O RING
	3	6514	FIRST STAGE ELEMENT
	4	6651	FILTER ELEMENT-SECONDARY
	5	6552	AUTO DRAIN ASSEMBLY
	6	6712	AIR REGULATOR W/GAUGE, 2 VALVES
6700			
	1	6750	1/2" BALL VALVE
	2	6550	O RING
	3	6752	ACTIVATED CARBON ELEMENT
	4	6652	DIFFERENTIAL PRESSURE INDICATOR
	5	6552	AUTO DRAIN ASSEMBLY
	6	6503	AIR REGULATOR W/GAUGE, VALVE
	7	6753	DESICCANT ELEMENT
		6554	MANUAL DRAIN KIT
	8	6754	O-RING LARGE CANISTER
	9	6758	BLUE PAPER (MOISTURE INDICATOR)
6503 SINGLE OUTLET AIR REGULATOR			
	5a	6756	AIR REGULATOR W/O GAUGE
	5b	6755	PRESSURE GAUGE
	5c	6757	1/4" BALL VALVE
		6510	REGULATOR REBUILD KIT
6712 DUAL OUTLET AIR REGULATOR			
	6a	6756	AIR REGULATOR W/O GAUGE
	6b	6755	PRESSURE GAUGE
	6c	6757	1/4" BALL VALVE
		6510	REGULATOR REBUILD KIT

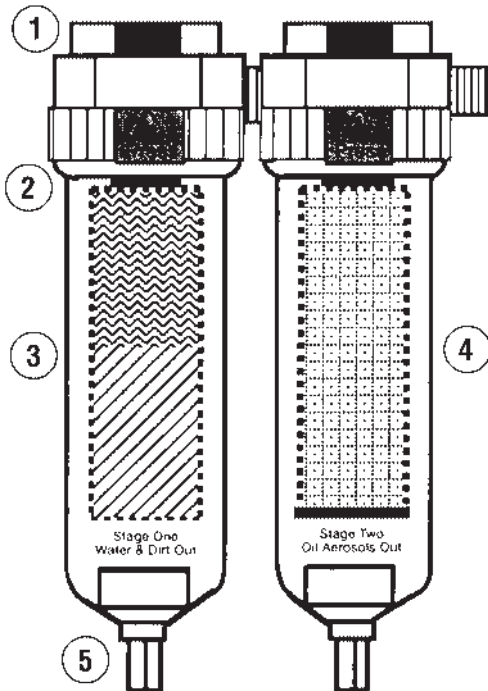
6500/6504



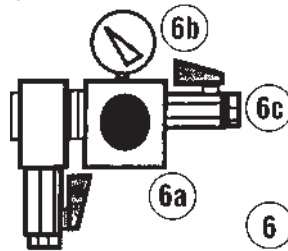
6700



6600



6712



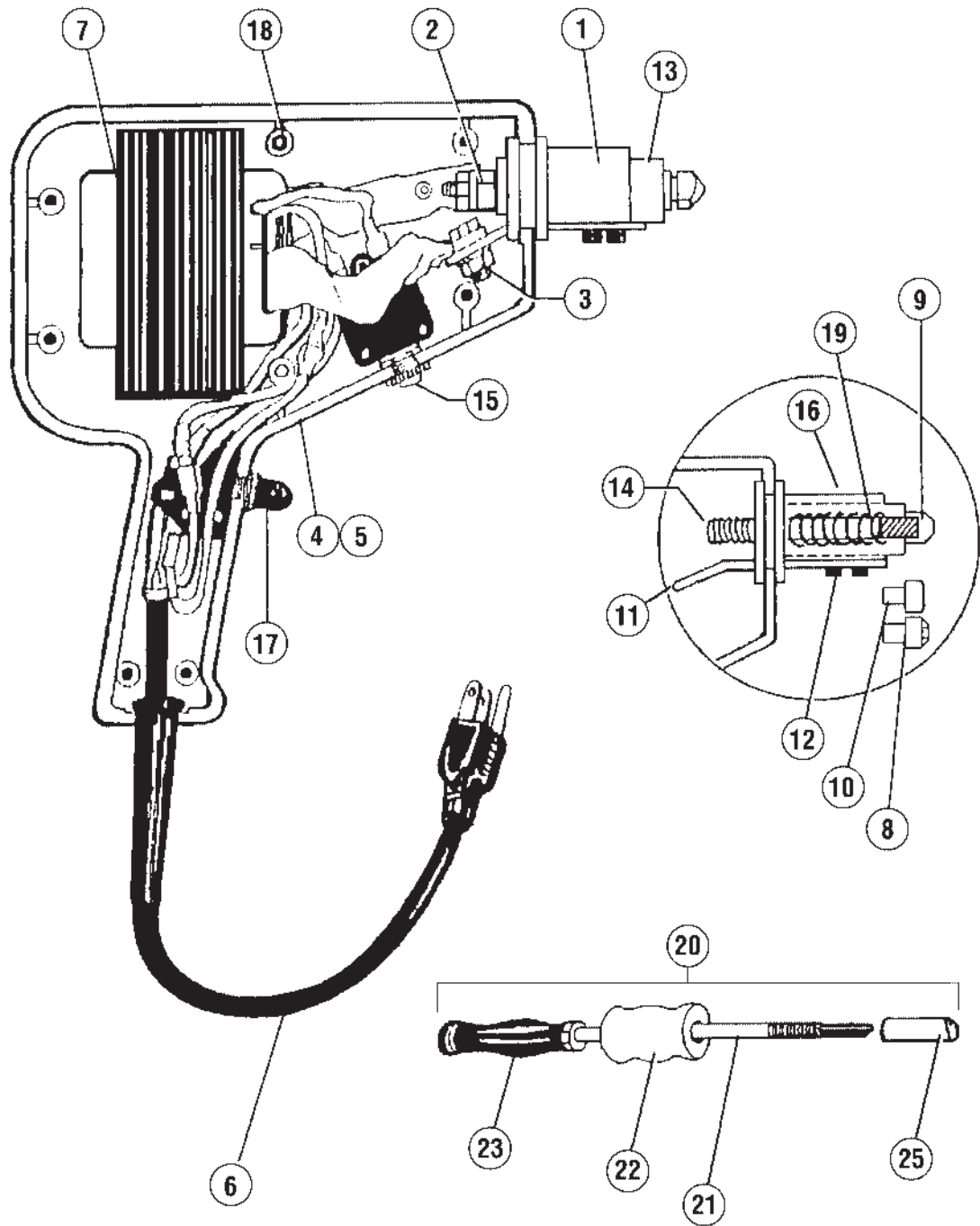


Dent Master

DM100

Ref #	Part #	Description	Remarks
1	DM01	TEFLON NOSE PIECE	
2	C208	ROD 5/16 BRASS NUTS	
3	DM03	NEGATIVE BOLT & NUT	
4	DM04	RIGHT CASE	
5	DM05	LEFT CASE	
6	DM06-1	CORD & PLUG	
7	DM07	TRANSFORMER	
8	DM08	MOLDING TIP	
9	DM09	NAIL TIP	
10	DM10	SHRINK TIP	
11	DM11	NEGATIVE BAR	
12	DM12	NEGATIVE SCREWS	
13	DM13	NEGATIVE RING	
14	DM14	POSITIVE ROD	
15	DM15	CIRCUIT BREAKER	
16	DM16	TEFLON COLLAR	
17	DM17	TRIGGER SWITCH ASSEMBLY	
18	DM18	SCREWS AND NUTS	
19	DM19	SPRING	
20	DM30	SLIDE HAMMER ASSEMBLY	
21	DM31	SLIDE HAMMER SHAFT	
22	DM33	SLIDE HAMMER WEIGHT	
23	DM34	HANDLE GRIP	
	DM35	HAMMER HANDLE	
25	DM36	HAMMER HEAD	
	DM36-1	POSI-LOC WHEEL AND PIN	
	DM37	HANDLE FOR MINI PULLER	
	DM60-0	DM GROUND RING	
	DM60-1	H&S GROUND RING	
	DM60-2	MOTOR GUARD GROUND RING	
	DM60-3	DENT FIX GROUND RING	
	DM65-0	DM WIRE TIP	
	DM65-1	H&S/MOTORGUARD WIRE TIP	
	DM65-3	DENT FIX WIRE TIP	
	DM66	DM CLAW HOOK	

DM100





Anest Iwata USA, Inc.
9920 Windisch Road, West Chester, OH 45069
Tel: (513) 755-3100
Fax: (513) 755-0888
Toll Free 1-800-440-0282
Web: www.anestiwata.com
Email: info@anestiwata.com

Models and specifications subject to change without notice.

© Copyright 2004, Anest Iwata USA Inc. Printed in USA REV: C
Part # AI-US-102C