



Binks AIRLESS 1 SPRAY GUN

(For Professional Use Only)

OPERATION AND MAINTENANCE INSTRUCTIONS

OPERATING INSTRUCTIONS:

The following steps and recommendations should be followed to get the best results from your spray gun:

1. Connect high pressure airless fluid hose to the gun fluid inlet and tighten securely.
2. With nozzle tip removed, start pump slowly and direct spray gun into material container and pull trigger until fluid flows steadily from gun.
3. Release trigger. Install nozzle tip per safety procedure.

⚠ WARNING

UNDER NO circumstances should the spray gun be carelessly handled nor its spray (even when nozzle is removed) directed at close proximity to any part of the human body. If you spray yourself or anyone else at close range, the stream of material can puncture the skin and cause great harm (possible amputation).

4. Increase pressure of pump and test spray pattern for proper atomization.

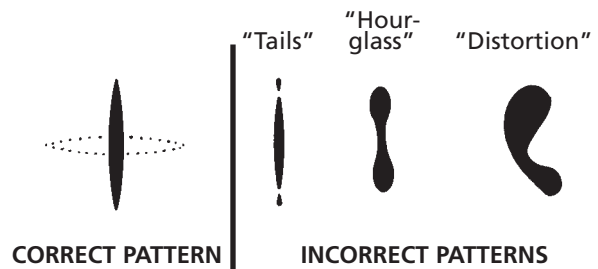
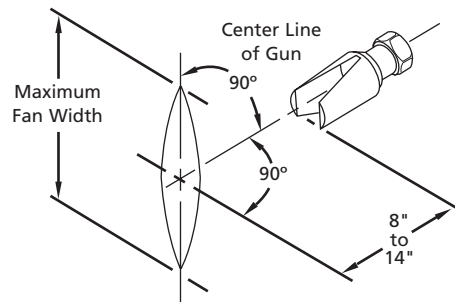
NOTE

Excessive fluid pressure will distort the spray pattern. A simple rule to remember is "When the pattern is right, the pressure is right".

5. Spray gun distance from work surface should be at a point where maximum fan pattern is evident. This distance is normally 8 to 14 inches.
6. "Hour-glass" and "tails" on spray patterns normally indicate too low a fluid pressure for the nozzle tip orifice size, or the material is too viscous or thick.
7. Distorted spray patterns may be the result of excess fluid pressure, plugging of tip, or a worn tip.
8. Airless spray guns are either ON or OFF. You cannot "feather" with airless guns as you can with air atomized equipment.
9. Successive strokes may not require over-lapping as much as with air atomized spray because of the heavier pattern edges produced by airless spraying.
10. Spray strokes with airless spray guns will be faster because of the higher fluid output.



Your new Binks Airless 1 spray gun has been thoroughly tested before leaving the factory. No adjustment is required prior to spray operations other than installing the nozzle tip.



Replaces
Part Sheet
2340R-5

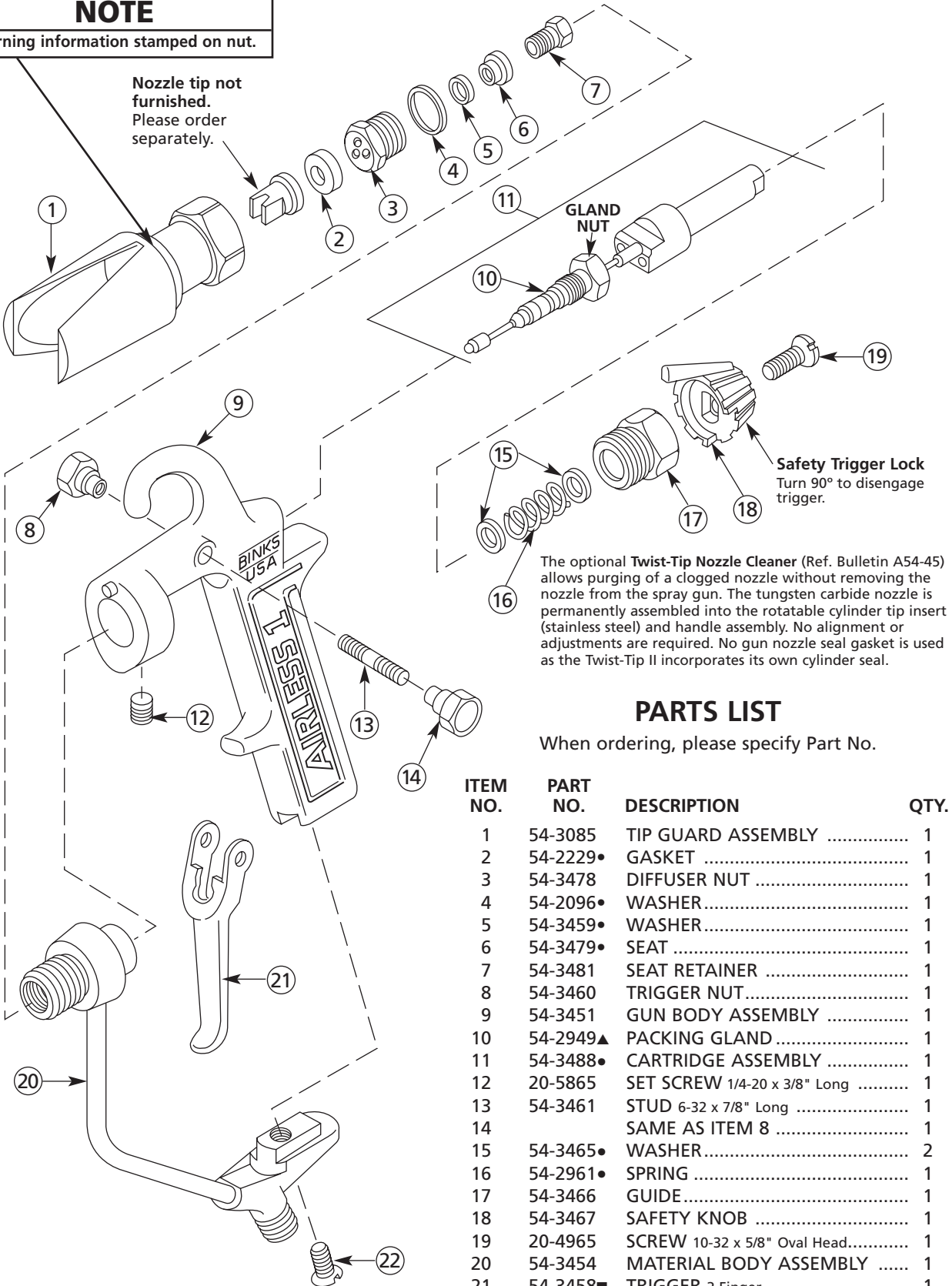
Part
Sheet
77-2340R-6

Binks AIRLESS 1 SPRAY GUN

NOTE

Warning information stamped on nut.

Nozzle tip not furnished. Please order separately.



Safety Trigger Lock
Turn 90° to disengage trigger.

The optional **Twist-Tip Nozzle Cleaner** (Ref. Bulletin A54-45) allows purging of a clogged nozzle without removing the nozzle from the spray gun. The tungsten carbide nozzle is permanently assembled into the rotatable cylinder tip insert (stainless steel) and handle assembly. No alignment or adjustments are required. No gun nozzle seal gasket is used as the Twist-Tip II incorporates its own cylinder seal.

PARTS LIST

When ordering, please specify Part No.

ITEM NO.	PART NO.	DESCRIPTION	QTY.
1	54-3085	TIP GUARD ASSEMBLY	1
2	54-2229●	GASKET	1
3	54-3478	DIFFUSER NUT	1
4	54-2096●	WASHER.....	1
5	54-3459●	WASHER.....	1
6	54-3479●	SEAT	1
7	54-3481	SEAT RETAINER	1
8	54-3460	TRIGGER NUT.....	1
9	54-3451	GUN BODY ASSEMBLY	1
10	54-2949▲	PACKING GLAND	1
11	54-3488●	CARTRIDGE ASSEMBLY	1
12	20-5865	SET SCREW 1/4-20 x 3/8" Long	1
13	54-3461	STUD 6-32 x 7/8" Long	1
14		SAME AS ITEM 8	1
15	54-3465●	WASHER.....	2
16	54-2961●	SPRING	1
17	54-3466	GUIDE.....	1
18	54-3467	SAFETY KNOB	1
19	20-4965	SCREW 10-32 x 5/8" Oval Head.....	1
20	54-3454	MATERIAL BODY ASSEMBLY	1
21	54-3458■	TRIGGER 2 Finger	1
22	20-5863	SCREW 5/16-24 x 3/8" Flat Head	1

NOTE

Sapphire inserts cannot be used with Airless 1 gun.

- Also included in 6-236 Repair Kit. Please order separately.
- Furnished with 2-finger trigger. Four-finger trigger available, please order separately. Specify 54-3484.
- ▲ Part of item 11.

WARNING



**HIGH PRESSURE CAN CAUSE SERIOUS INJURY IF EQUIPMENT IS INSTALLED OR USED INCORRECTLY—
READ, UNDERSTAND, AND OBSERVE ALL WARNINGS AND INSTRUCTIONS IN THIS MANUAL.**

OPERATE EQUIPMENT ONLY AFTER ALL INSTRUCTIONS ARE CLEARLY UNDERSTOOD.

INJECTION HAZARD

1. The Sprayer pumps coatings at high pressure (2500 PSI/173 Bar). If you spray yourself or anyone else at close range, the stream of material can puncture the skin and cause great harm (possible amputation).
2. **NEVER** point the spray gun at yourself or anyone else. The tip guard provides some protection against injection injuries, but it is mainly a warning device. **NEVER** remove the tip guard. **NEVER** point the spray gun at your hands, fingers, or body. **ALWAYS** keep the spray gun trigger safety catch locked in the OFF position when not in use.
3. **DO NOT** cover the tip guard and attempt to “blow back” fluid. This is not an air sprayer.
4. If injury occurs, see your doctor immediately! **DO NOT TREAT THIS AS A SIMPLE CUT.** Inform your doctor specifically of what fluid was injected.

AVOID STATIC SPARKING

Static electricity charge builds up by high velocity liquid flowing through a hose during flushing, cleaning, or spraying operations. Proper grounding of the airless system safely dissipates this charge.

All high pressure airless systems must be grounded to avoid dangerous static sparking, explosion, or fire when spraying or flushing with flammable liquids.

- Use Binks **NO-WIRE** conductive hose in all airless spraying operations. Be sure the gun and hose have continuity. Check continuity weekly with ohmmeter. Overall (end to end) resistance of unpressurized hose must not exceed 29 megohm (max.) for any coupled length or combination of hose lengths.
- Make sure the airless pump is grounded. **NEVER** operate the unit when it is on a non-grounded platform. Electric airless

units are grounded through the grounding prong on the plug. The electric cord or receptacle must be grounded. **DO NOT** alter or remove grounding prong.

- When flushing or cleaning with a combustible solvent, always use an open metallic container for receiving the waste solvent. Ground the solvent receptacle.
- Bond the spray gun to the waste container with a grounding wire. Be sure there is good metal to metal contact.
- **ALWAYS** remove spray tip when flushing the airless system. Operate the pump at the lowest possible pressure.

GENERAL WARNINGS

1. **NEVER** leave a pressurized sprayer unattended.
2. **DO NOT** use fluids, coatings, or chemicals that are not compatible with nylon hoses.
3. Periodically inspect all hoses for leaks and/or abrasions and tighten all connections before use. **DO NOT ATTEMPT TO REPAIR** a defective hose. **REPLACE** it with another conductive hose.
4. Follow all warnings and precautions of the coating and solvent manufacturers.
5. **ALWAYS** relieve pressure in the system by turning bypass valve to **BYPASS** or triggering spray gun before disassembly of any component parts.

REPLACEMENT PARTS

The airless sprayer is designed to use authorized parts only. When using this pump with parts that do not comply with the minimum specifications and safety devices of Binks, the user assumes all risks and liabilities.

Binks AIRLESS 1 SPRAY GUN MAINTENANCE INSTRUCTIONS

See High Pressure Warning Statement, page 3.

CAUTION

1. Use care when handling nozzle tips to avoid dropping. Tips are made of tungsten carbide and are brittle.
2. Never use metal probes to clean nozzle tips.
3. Excessive fluid pressure will cause undue wear.

TO CLEAN NOZZLE TIP

1. Turn safety knob (18) 90° to disengage trigger (21).
2. Shut off power supply to pump and release pressure from gun. Remove gun from hose.
3. Remove tip guard assembly (1), nozzle tip and gasket (2).
4. Submerge nozzle tip in solvent to remove dry coating.
5. Blow air through nozzle from front end to eject stuck particles. Hold up to light to assure orifice is clear.
6. Reassemble in reverse order.

NOTE

Use of diffuser/filter assembly will eliminate most tip clogging problems.

TO REPLACE CARTRIDGE ASSEMBLY (16)

1. Shut off power supply to pump and release pressure from gun. Remove gun from hose.
2. Remove screw (19), safety knob (18) and guide (17).
3. Unscrew gland nut.
4. Pull cartridge assembly (11) out from back of gun.
5. Make sure inside of gun is clean.
6. Reinsert cartridge assembly (11) (of step 4) into position through back of gun body assembly. Tighten gland nut.
7. Reassemble items 15 through 19.

TO REPLACE PACKING (17)

1. Remove cartridge assembly following steps 1-4 under "To Replace Cartridge Assembly."
2. Locate slot in packing gland (10), pry apart and push off.
3. Replace with new packing gland, and reassemble.

TO ADJUST PACKING GLAND (10)

1. Shut off power supply to pump and release pressure from gun. Remove gun from hose.
2. Use a 7/16" open-end wrench to turn gland nut (18) clockwise to eliminate any leakage at gland.
3. If sluggish trigger operation is noted, turn gland nut counterclockwise in 1/16 turn increments until drag is eliminated.
4. If leakage cannot be stopped without excessive drag on trigger, replace packing.

TO REPLACE SEAT (6)

1. Shut off air or power supply to pump and release pressure from gun. Remove gun from hose.
2. Remove tip guard assembly (1) and nozzle tip and gasket (2).
3. Remove nut diffuser and attached parts (3, 4, 5, 6, & 7). Unscrew seat retainer (7) from nut diffuser (3). Seat should drop out.
4. Reassemble in reverse order.

DIFFUSER ASSEMBLY ACCESSORY

Reduces fluid velocity to minimize tip wear and make tip removal safer. Also to aid fluid filtration. Order 54-2229 nylon gasket with set-up, described below.
54-2378 nut for use with 54-1835 (.005) or 54-1836 (.009) edge type filter.



54-2378



54-1835
54-1836

Binks Worldwide Sales and Service Listing: www.binks.com

ITW Industrial Finishing

Binks has authorized distributors throughout the world. For technical assistance or the distributor nearest you, see listing below.

U.S./Canada Technical Service Office:

195 Internationale Blvd., Glendale Heights, IL 60139
Toll-Free Telephone: 1-888-992-4657 (U.S.A. and Canada only)
Toll-Free Fax: 1-888-246-5732

WARRANTY

This product is covered by Binks' 1 Year Limited Warranty.

2340R-6 Revisions: Updated graphic standards; contact information. Reset all type and diagrams.



An Illinois Tool Works Company