

Prodigy[®] Manual Powder Spray Guns

Customer Product Manual
Part 1053680E05

Issued 6/07

**For parts and technical support, call the
Finishing Customer Support Center at (800) 433-9319.**

This document is available on the Internet at <http://emanuals.nordson.com/finishing>



NORDSON CORPORATION • AMHERST, OHIO • USA

Table of Contents

Safety	1	Continuity and Resistance Tests	11
Qualified Personnel	1	Multiplier and Resistor Assembly	11
Intended Use	1	Resistance Test	11
Regulations and Approvals	1	Resistance Test - Control Cable End	
Personal Safety	1	to Adapter Spring Plunger	11
Fire Safety	2	Resistance Test Using the Optional	
Grounding	2	Shorting Plug	11
Aggressive Substances	2	Resistor Resistance Test	12
Action in the Event of a Malfunction	3	Control Cable Continuity Tests	12
Disposal	3	Trigger Switch Continuity Test	13
Description	3	Repair	14
Features	3	Nozzle and Powder Tube Replacement	14
Specifications	6	Control Cable Replacement	14
Air Quality Requirements	6	Resistor and Electrode Replacement	15
Equipment Rating	6	Resistor and Electrode Removal	15
Installation	6	Resistor and Electrode Installation	16
ATEX Special Condition For Safe Use:	7	Multiplier Replacement	17
Operation	7	Removal	17
Presets	7	Assembly	17
Gun ON LED	7	Parts	18
Pattern Control Trigger	7	Prodigy Manual Spray Gun - Standard Length ..	18
Maintenance	7	Prodigy Manual Spray Gun - Short Length	20
Nozzle Disassembly and Cleaning	8	Service Kits	22
Troubleshooting	10	Options	22
		Powder and Air Tubing	24
		Conical Nozzles	23
		Conical Nozzle Components	23
		Flat Spray, Cross, and Pinpoint Nozzles	24
		Flat Spray, Cross, and	
		Pinpoint Nozzle Components	25

Contact Us

Nordson Corporation welcomes requests for information, comments, and inquiries about its products. General information about Nordson can be found on the Internet using the following address:
<http://www.nordson.com>.

Address all correspondence to:

Nordson Corporation
Attn: Customer Service
555 Jackson Street
Amherst, OH 44001

Notice

This is a Nordson Corporation publication which is protected by copyright. Original copyright date 2004. No part of this document may be photocopied, reproduced, or translated to another language without the prior written consent of Nordson Corporation. The information contained in this publication is subject to change without notice.

Trademarks

Prodigy, HDLV, Nordson, and the Nordson logo are registered trademarks of Nordson Corporation.

Viton is a registered trademark of DuPont Dow Elastomers. L.L.C.

Prodigy® Manual Powder Spray Gun

Safety

Read and follow these safety instructions. Task- and equipment-specific warnings, cautions, and instructions are included in equipment documentation where appropriate.

Make sure all equipment documentation, including these instructions, is accessible to all persons operating or servicing equipment.

Qualified Personnel

Equipment owners are responsible for making sure that Nordson equipment is installed, operated, and serviced by qualified personnel. Qualified personnel are those employees or contractors who are trained to safely perform their assigned tasks. They are familiar with all relevant safety rules and regulations and are physically capable of performing their assigned tasks.

Intended Use

Use of Nordson equipment in ways other than those described in the documentation supplied with the equipment may result in injury to persons or damage to property.

Some examples of unintended use of equipment include

- using incompatible materials
- making unauthorized modifications
- removing or bypassing safety guards or interlocks
- using incompatible or damaged parts
- using unapproved auxiliary equipment
- operating equipment in excess of maximum ratings

Regulations and Approvals

Make sure all equipment is rated and approved for the environment in which it is used. Any approvals obtained for Nordson equipment will be voided if instructions for installation, operation, and service are not followed.

All phases of equipment installation must comply with all federal, state, and local codes.

Personal Safety

To prevent injury follow these instructions.

- Do not operate or service equipment unless you are qualified.
- Do not operate equipment unless safety guards, doors, or covers are intact and automatic interlocks are operating properly. Do not bypass or disarm any safety devices.
- Keep clear of moving equipment. Before adjusting or servicing any moving equipment, shut off the power supply and wait until the equipment comes to a complete stop. Lock out power and secure the equipment to prevent unexpected movement.
- Relieve (bleed off) hydraulic and pneumatic pressure before adjusting or servicing pressurized systems or components. Disconnect, lock out, and tag switches before servicing electrical equipment.
- To prevent injury, be aware of less-obvious dangers in the workplace that often cannot be completely eliminated, such as hot surfaces, sharp edges, energized electrical circuits, and moving parts that cannot be enclosed or otherwise guarded for practical reasons.
- Obtain and read Material Safety Data Sheets (MSDS) for all materials used. Follow the manufacturer's instructions for safe handling and use of materials, and use recommended personal protection devices.

Fire Safety

To avoid a fire or explosion, follow these instructions.

- Do not smoke, weld, grind, or use open flames where flammable materials are being used or stored.
- Provide adequate ventilation to prevent dangerous concentrations of volatile materials or vapors. Refer to local codes or your material MSDS for guidance.
- Do not disconnect live electrical circuits while working with flammable materials. Shut off power at a disconnect switch first to prevent sparking.
- Know where emergency stop buttons, shutoff valves, and fire extinguishers are located. If a fire starts in a spray booth, immediately shut off the spray system and exhaust fans.
- Clean, maintain, test, and repair equipment according to the instructions in your equipment documentation.
- Use only replacement parts that are designed for use with original equipment. Contact your Nordson representative for parts information and advice.

Grounding



WARNING: Operating faulty electrostatic equipment is hazardous and can cause electrocution, fire, or explosion. Make resistance checks part of your periodic maintenance program. If you receive even a slight electrical shock or notice static sparking or arcing, shut down all electrical or electrostatic equipment immediately. Do not restart the equipment until the problem has been identified and corrected.

Grounding inside and around the booth openings must comply with NFPA requirements for Class II, Division 1 or 2 Hazardous Locations. Refer to NFPA 33, NFPA 70 (NEC articles 500, 502, and 516), and NFPA 77, latest conditions.

- All electrically conductive objects in the spray areas shall be electrically connected to ground with a resistance of not more than 1 megohm as measured with an instrument that applies at least 500 volts to the circuit being evaluated.

- Equipment to be grounded includes, but is not limited to, the floor of the spray area, operator platforms, hoppers, photoeye supports, and blow-off nozzles. Personnel working in the spray area must be grounded.
- There is a possible ignition potential from the charged human body. Personnel standing on a painted surface, such as an operator platform, or wearing non-conductive shoes, are not grounded. Personnel must wear shoes with conductive soles or use a ground strap to maintain a connection to ground when working with or around electrostatic equipment.
- Operators must maintain skin-to-handle contact between their hand and the gun handle to prevent shocks while operating manual electrostatic spray guns. If gloves must be worn, cut away the palm or fingers, wear electrically conductive gloves, or wear a grounding strap connected to the gun handle or other true earth ground.
- Shut off electrostatic power supplies and ground gun electrodes before making adjustments or cleaning powder spray guns.
- Connect all disconnected equipment, ground cables, and wires after servicing equipment.

Aggressive Substances

If the equipment is likely to come into contact with aggressive substances, then it is the responsibility of the user to take suitable precautions that prevent it from being adversely affected, thus ensuring that the type of protection provided by the equipment is not compromised.

Aggressive substances: e.g. acidic liquids or gases that may attack metals, or solvents that may affect polymeric materials.

Suitable precautions: regular check as part of routine inspections or establishing from the material's data sheets that it is resistant to specific chemicals.

Please contact Nordson Corporation if you are concerned or unsure about the suitability of the product with relation to coming into contact with particularly aggressive substances.

Action in the Event of a Malfunction

If a system or any equipment in a system malfunctions, shut off the system immediately and perform the following steps:

- Disconnect and lock out electrical power. Close pneumatic shutoff valves and relieve pressures.
- Identify the reason for the malfunction and correct it before restarting the equipment.

Disposal

Dispose of equipment and materials used in operation and servicing according to local codes.

Description

The Prodigy Manual Powder Spray Guns use specially designed conical and flat-spray nozzles to atomize, shape, and spray dense-phase powder delivered by Nordson HDLV® (high-density powder, low-velocity air) pumps.

The spray gun is available in a standard length and a short length.

Features

- 8-mm tubing used for powder delivery
- Separate high voltage and powder paths.
- Special pattern control trigger toggles between user-programmable high and low pattern air and powder flows.
- Shipped with a 70° conical nozzle and a dual-slot flat-spray nozzle. Optional conical, flat spray, cross, and pinpoint nozzles are available.
- User-friendly controller with LCD display.
- Up to 10 user-programmable coating recipes.

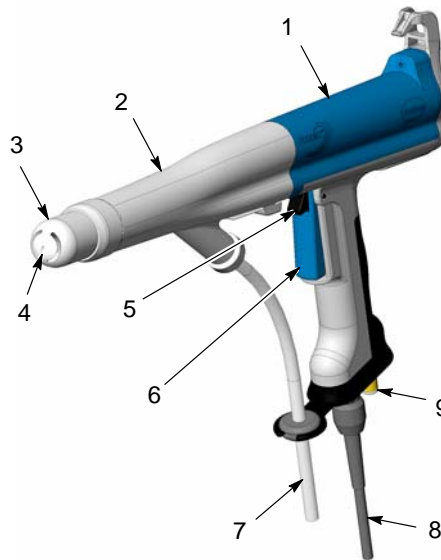


Figure 1 Prodigy Manual Powder Spray Gun

- | | | |
|-------------------|----------------------------|-------------------------------|
| 1. Gun body | 4. Nozzle electrode | 7. Powder tubing (8 mm) |
| 2. Adapter | 5. Pattern control trigger | 8. Control cable |
| 3. Conical nozzle | 6. Trigger | 9. Pattern air fitting (6 mm) |

Note: Powder and pattern air tubing are not shipped with the spray gun. Tubing is included in manual gun systems.

Description (contd)

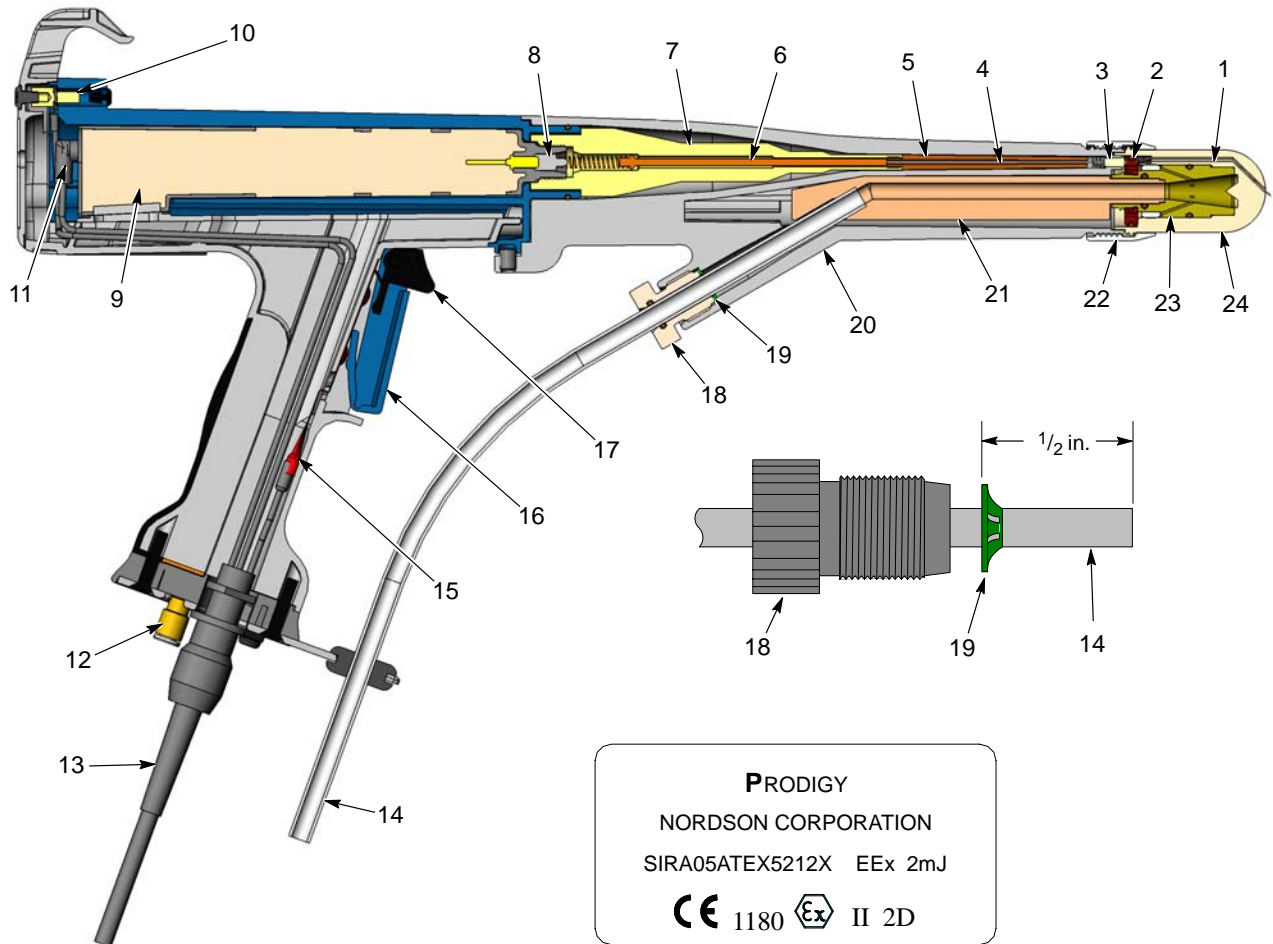


Figure 2 Standard Length Spray Gun Section View

- | | | |
|---------------------------|-------------------------------------|-----------------------------|
| 1. Nozzle electrode* | 9. Voltage multiplier | 17. Pattern control trigger |
| 2. Nozzle electrode ring* | 10. Ground stud | 18. Lock knob |
| 3. Spring plunger | 11. Cable/multiplier connection | 19. Grip ring |
| 4. Electrode | 12. 6-mm tube fitting (pattern air) | 20. Adapter |
| 5. Electrode holder | 13. Control cable | 21. Powder tube |
| 6. Resistor | 14. 8-mm powder tubing | 22. Retainer nut |
| 7. Resistor holder | 15. Switch keypad | 23. Nozzle Insert* |
| 8. Contact spacer | 16. Spray trigger | 24. Nozzle* |

Note: Parts marked with an asterisk (*) are part of the nozzle assembly. Powder and pattern air tubing are included with manual gun systems only.

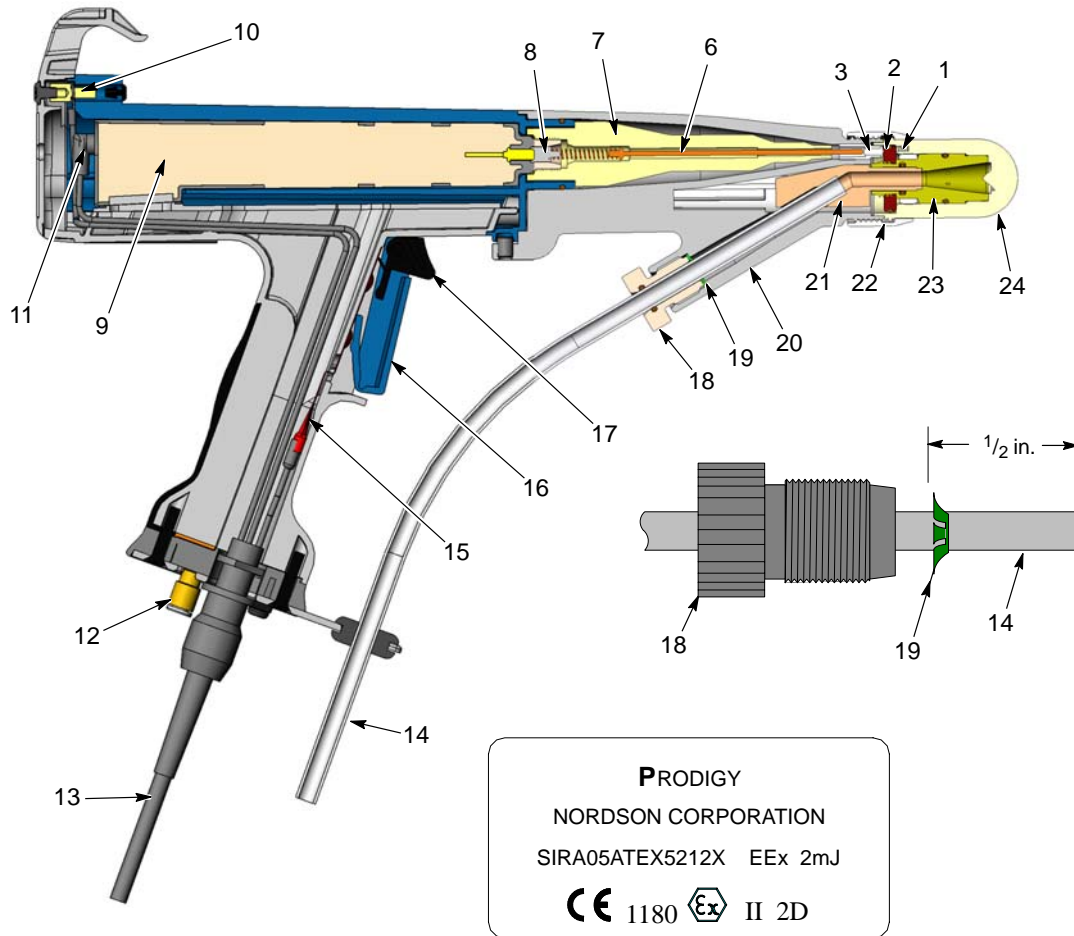


Figure 3 Short Length Spray Gun Section View

Note: Use the legend from Figure 2 for the numbered components.

Specifications

Specifications are subject to change without notice.

Electrical Output	
Maximum rated output voltage at the electrode:	95 kV \pm 10%
Maximum rated output current at the electrode:	100 μ A \pm 10%
Air Pressure and Flow Requirements	
Minimum input air:	4 bar (60 psi)
Maximum input air:	6.9 bar (100 psi)
Pattern air:	5.9 bar (85 psi), 6-57 l/min. (0.2-2.0 scfm)
Temperature Requirements	
Maximum ambient temperature	40 °C (104 °F)

Air Quality Requirements

Powder spray systems require clean, dry, oil-free compressed air. Moist or oil-contaminated air can cause the powder to clog in the pump, powder feed tubing, or spray gun.

Use 3-micron filter/separators with automatic drains and a refrigerated or regenerative desiccant-type air dryer that can produce a 3.4 °C (38 °F) or lower dewpoint at 6.9 bar (100 psi).

Equipment Rating

This applicator is rated for use in a potentially explosive environment: Class II, Division I, Group F & G, Zone 21 or Zone 22.

Installation



WARNING: Allow only qualified personnel to perform the following tasks. Follow the safety instructions in this document and all other related documentation.



WARNING: Installation in Europe shall be carried out by suitably trained personnel in accordance with the applicable code of practice. EN60079-14

See Figure 2.

1. Connect the control cable (13) to the gun controller receptacle labeled GUN and tighten the cable nut securely.

NOTE: Refer to page 22 for optional four-meter extension cables. Do not use more than two extension cables.

NOTE: Powder and pattern air tubing are supplied only with manual gun systems or can be ordered separately. Refer to page 22 for tubing part numbers.

2. Connect blue 6-mm pattern air tubing from the appropriate pattern air outlet fitting on the pump control cabinet to the tube fitting (12) on the gun handle.
3. Use a tubing cutter to cut the 8-mm powder delivery and suction tubing to the desired lengths. The ends must be square. Refer to page 22 for an optional tubing cutter.

Delivery tubing (pump to gun)

Minimum length: 9 m (30 ft)

Maximum length: 32 m (75 ft)

Suction tubing (pump to powder supply)

Minimum length: 1 m (3.5 ft)

Maximum length: 3.65 m (12 ft)

4. Push one end of the powder delivery tubing through the grommet in the tubing bracket, then install the lock knob (18) on the tubing (14).
5. Install a grip ring (19) 12.7-mm (1/2-in.) from the end of the delivery tubing.

Installation *(contd)*

6. Push the delivery tubing into the adapter (20) until it bottoms out against the powder tube (21). Thread the lock knob into the adapter and finger-tighten it until snug.
7. Route the delivery tubing to the appropriate powder pump. Remove the outlet fitting (rear fitting) and O-ring and install them on the tubing, then screw the fitting back onto the pump.
8. Connect suction tubing as described in the powder pump manual or Color-on-Demand installation manual.
9. Use cable ties or spiral-cut tube wrap to bundle together the gun control cable, pattern air tubing, and powder tubing.

ATEX Special Condition For Safe Use:

This applicator shall only be used with the Prodigy Manual Controller.

Operation



WARNING: This equipment can be dangerous unless it is used in accordance with the rules laid down in this manual.

All gun functions are set and controlled by the manual gun controller.

Presets

A preset is a group of spray settings. The gun controller provides 10 presets. Use the presets to save optimal spray settings for parts with different features.

Gun ON LED

The LED on the end plate lights when the spray trigger is pulled and high voltage is generated.

Pattern Control Trigger

The pattern control trigger toggles between the preset settings (High mode) and the Low mode settings. Use it to change the pattern air and powder flow as needed when part features change. When in Low mode, a down-pointing arrow (↓) is appears to the right of the gun icon.

NOTE: If you change presets while spraying in Low mode, the controller immediately switches to High mode, spraying with the new preset settings.

Maintenance



WARNING: Inspection and maintenance of this equipment in Europe shall be carried out by suitably trained personnel in accordance with the applicable code of practice. EN60079-17

Daily: Blow off the gun exterior with low-pressure compressed air and wipe it clean with a soft cloth.

Weekly: Manually perform a hard purge, then remove the retaining nut, nozzle, and powder tube. Inspect the powder tube and nozzle for wear. Replace any worn parts.

Periodically: Check the resistance of the voltage multiplier and resistor with a megohm meter as described in *Continuity and Resistance Checks* on page 11. Replace any components that do not meet the specifications.

As Required: Disassemble the nozzle and clean the internal parts. Replace any worn parts. Refer to *Nozzle Disassembly and Cleaning* on the following page for instructions.

Nozzle Disassembly and Cleaning

Requirements: Nozzle Tool 1073682

1. Hold the nozzle firmly in one hand. Thread the tool onto the threaded end of the insert until it bottoms out on the electrode ring.



Figure 4 Nozzle Disassembly Step 1 (Shown with Nut Installed)

2. Turn the tool clockwise while pulling on it until the electrode ring/insert assembly comes out of the nozzle.

NOTE: If the electrode is pulled out of the nozzle shell, be careful to not lose it. The dual slot nozzle has the electrode glued in.



Figure 5 Nozzle Disassembly Step 2A

Electrode Ring/Insert Assembly

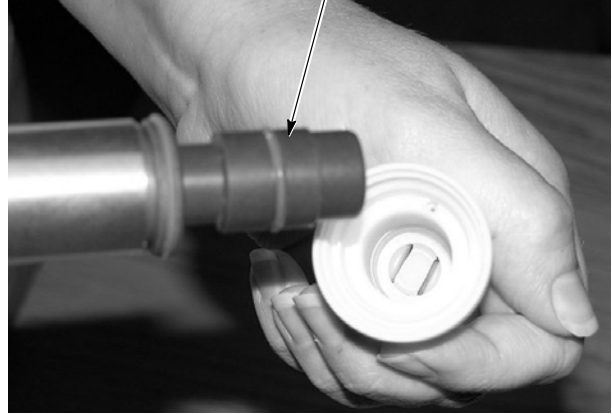


Figure 6 Nozzle Disassembly Step 2B (New Style Assembly Shown)

3. Unscrew the tool from the electrode ring/insert assembly and blow off the assembly with compressed air.



Figure 7 Nozzle Disassembly Step 3 (New Style Shown)

4. Place the nozzle and nozzle nut in an ultrasonic cleaner to remove any impact fusion, then blow them off with compressed air. If desired, remove the nozzle nut from the nozzle by sliding the nut forward then turning it clockwise to unscrew it.

NOTE: See Figure 9. Old style nozzles have a disk-shaped filter (3) installed on the outside of the insert (6) and held on by the electrode ring (2). New style nozzles have a conical filter that is installed inside the front end of the insert. The old style filter and insert are obsolete. If you are replacing the filter on an old style nozzle, you must also order a new insert. The new filters are available in quantities of 10.

5. Blow off the insert and filter. If the filter is clogged with powder, remove it and replace it with a new one. When removing the new style filter from the insert, be careful not to scratch the inside surface of the insert.

To re-assemble the nozzle:

1. Make sure the electrode ring is threaded all the way onto the insert.
2. Thread the tool onto the threaded end of the insert.
3. Turn the tool counterclockwise to remove it from the insert. Check the nozzle. The electrode ring should be approximately 1/4 inch inside the nozzle lip.

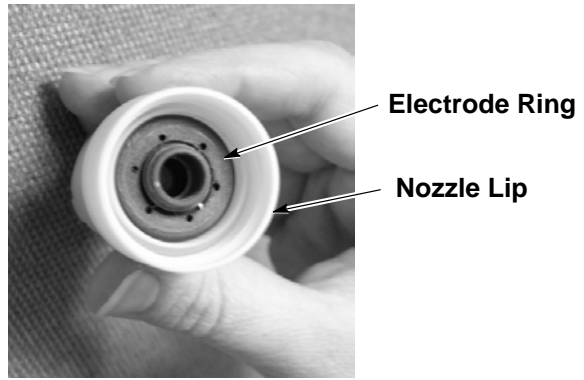


Figure 8 Nozzle Re-assembly

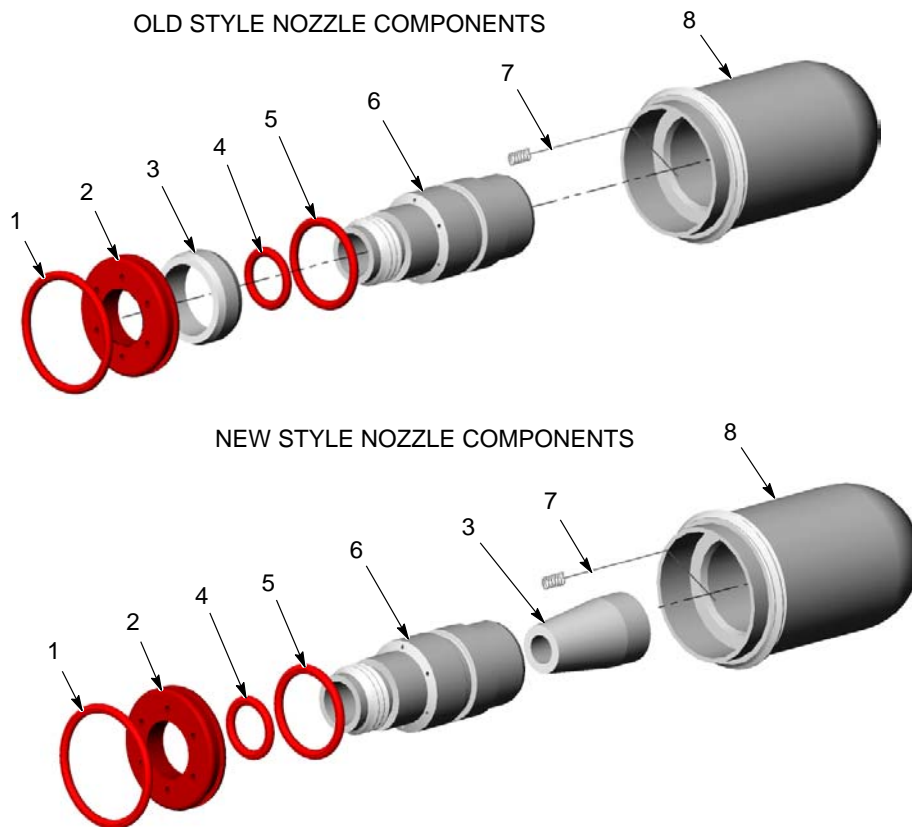


Figure 9 Internal Components of Nozzle Assemblies

- | | | |
|-------------------|-----------|-----------------|
| 1. O-ring | 4. O-ring | 7. Electrode |
| 2. Electrode ring | 5. O-ring | 8. Nozzle shell |
| 3. Filter | 6. Insert | |

Note: All internal components, except the electrodes, are the same for all nozzles. For flat-spray, cross, and pinpoint nozzles, the electrode is glued into the nozzle shell with epoxy and cannot be replaced separately.

Troubleshooting



WARNING: Allow only qualified personnel to perform the following tasks. Follow the safety instructions in this document and all other related documentation.

These procedures cover only the most common problems that you may encounter. If you cannot solve the problem with the information given here, contact your local Nordson representative for help.

Problem	Possible Cause	Corrective Action
1. Unsteady or inadequate powder flow	Problem with powder pump	Refer to pump manual for troubleshooting.
	Blockage in powder tubing	Perform a hard purge to clear tubing. Replace tubing if partially or completely blocked.
	Plugged nozzle	Remove nozzle and clean.
2. Uneven pattern	Insufficient pattern air flow	Increase pattern air flow.
	Worn powder tube	Remove powder tube from gun and check for worn passageway.
3. Loss of wrap, poor transfer efficiency	Low electrostatic voltage	Increase the electrostatic voltage (kV or μ A setting).
	Poorly grounded parts	Check the conveyor chain, rollers, and part hangers for powder buildup. The resistance between the parts and ground must be 1 megohm or less. For best results, 500 ohms or less is recommended.
	Poor connection in high voltage path inside spray gun	Perform the <i>Multiplier and Resistor Assembly Resistance Tests</i> on page 11.
	Fault in controller	Refer to <i>Troubleshooting</i> in the gun controller manual.
4. No kV output from the spray gun (LED on the spray gun does not light)	Damaged control cable	Perform the control cable continuity tests on page 12. If an open or short is found, replace the cable.
	Fault in controller	Refer to <i>Troubleshooting</i> in the gun controller manual.
5. No kV output from the spray gun (LED on the spray gun lights)	Faulty voltage multiplier or poor connection in high voltage path inside spray gun	Perform the resistance tests on page 11. Check all high voltage path connections.
6. No kV output and no powder output	Faulty trigger switch or control cable	Perform the control cable continuity tests on page 12, and the trigger switch test on page 13.
	Faulty controller wiring harness	Check the wiring between the GUN receptacle and the circuit board.
	Faulty controller circuit board	Check the circuit board as described in the controller manual.

Continuity and Resistance Tests



WARNING: Turn off the electrostatic voltage and ground the spray gun electrode before performing the following tasks. Failure to observe this warning could result in a severe shock.

Use the following tests to isolate problems with the voltage multiplier or resistor, control cable, and trigger switch.

Multiplier and Resistor Assembly Resistance Test

Resistance tests must be made with a 500 volt megohm meter.



CAUTION: Short together the three pins in the multiplier receptacle, or the designated pins in the control cable, before testing the continuity and resistance of the multiplier/resistor/electrode assembly. If not shorted, the multiplier could be damaged.

Use the optional shorting plug shown in Figure 11 when testing resistance from the multiplier receptacle to the adapter spring plunger. Refer to *Options in Parts* for the shorting plug part number.

Resistance Test - Control Cable End to Adapter Spring Plunger

1. See Figure 10. Remove the nozzle.
2. Disconnect the control cable from the manual control unit.
3. Short together cable connector pins J1-2, J1-3, and J1-4 and connect them to the positive megohm meter probe.
4. Connect the negative megohm meter probe to the adapter spring plunger.

The megohm meter reading should be 350-420 megohms. If the reading is out of this range, test the resistor separately. If the resistor passes the test, replace the multiplier.

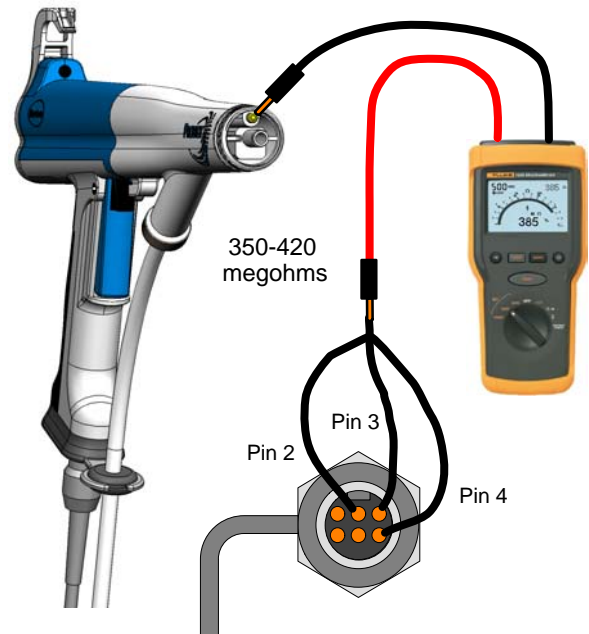


Figure 10 Cable End to Spring Plunger Test

Resistance Test Using the Optional Shorting Plug

1. See Figure 11. Remove the end cap and nozzle from the spray gun.
2. Disconnect the multiplier connector from the multiplier receptacle.
3. Connect the shorting plug connector to the multiplier receptacle.
4. Connect the megohm meter positive probe to the shorting plug ring-tong terminal and the negative probe to the spring plunger. (If the reading is infinite, switch the probes).
5. The megohm meter should read 350-420 megohms. If the reading is out of this range, test the resistor separately. If the resistor passes the test, replace the multiplier.

Resistance Test Using the Optional Shorting Plug (contd)

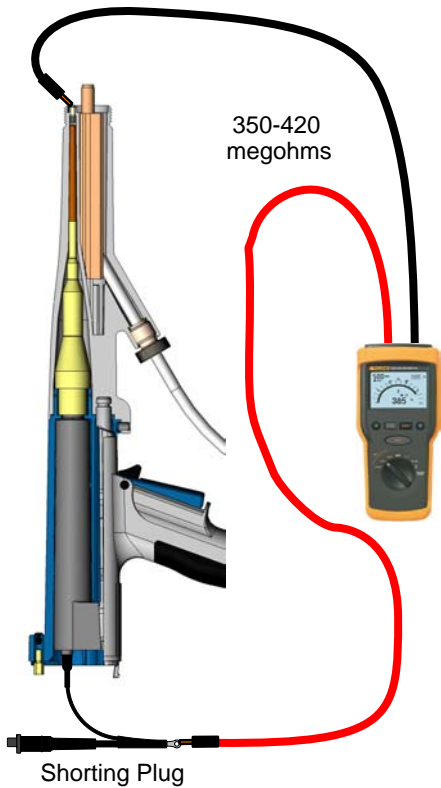


Figure 11 Test with Shorting Plug

Resistor Resistance Test

1. Remove the resistor/electrode assembly as described in *Resistor and Electrode Replacement* on page 15.
2. See Figure 12. Connect the megohm meter probes to the resistor spring and electrode spring.

The megohm meter reading should be 153-187 megohms. If it is out of this range, replace the resistor. If it is within this range, but the multiplier/resistor resistance check was out of range, replace the multiplier.

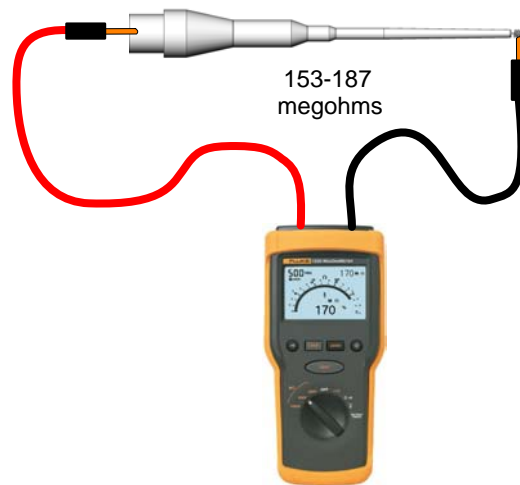


Figure 12 Resistor Resistance Test

Control Cable Continuity Tests

Make continuity tests with a standard ohmmeter. Use the following table and Figure 13.

NOTE: The first two tests in the following table can be made by disconnecting the cable from the manual control unit. All other tests require disconnecting the J2, J3, and ground connectors from the gun as described in *Cable Replacement* on page 14.

Test for continuity between:
J1 pins 1 and 2, spray trigger pressed
J1 pins 2 and 5, pattern air trigger pressed
J1 pin 1 and J3 pin 1
J1 pin 2 and J2 pin 3 and J3 pin 2
J1 pin 3 and J2 pin 1
J1 pin 4 and J2 pin 2
J1 pin 5 and J3 pin 3
J1 pin 6 and ground terminal

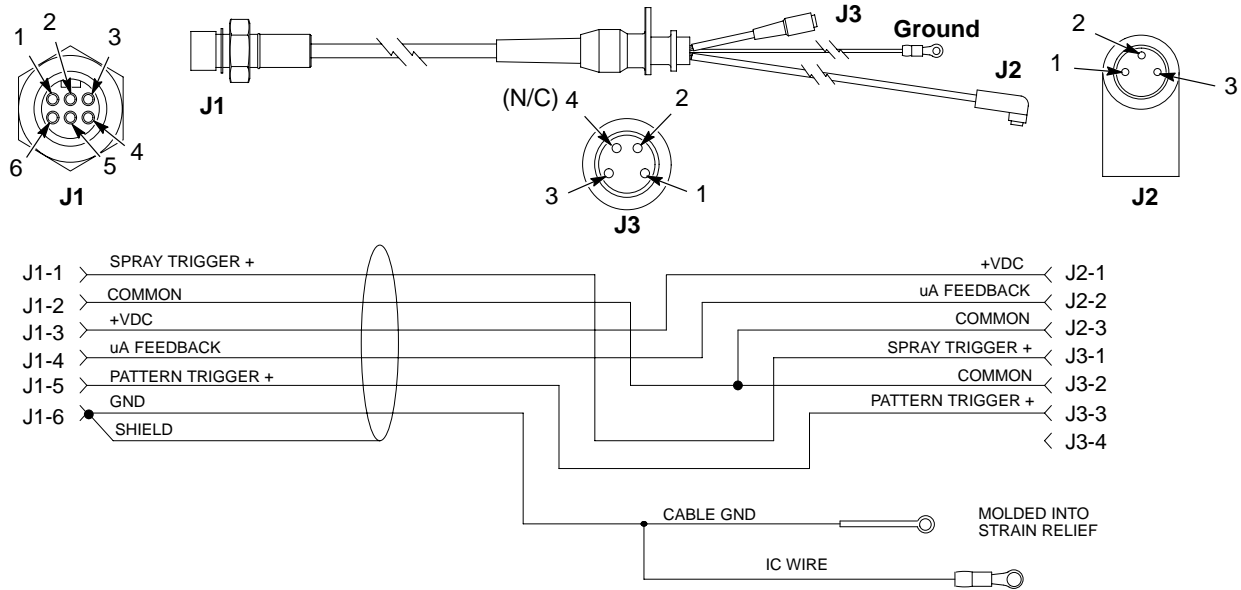


Figure 13 Control Cable Continuity Tests

Trigger Switch Continuity Test

Disconnect the control cable from the trigger switch, as described in *Cable Replacement* on page 14.

Test for continuity using the following table and Figure 14.

Pins	Trigger	Results
1 and 2	Off (Open)	No continuity
	On (Closed)	Continuity
2 and 3	Off (Open)	No continuity
	On (Closed)	Continuity

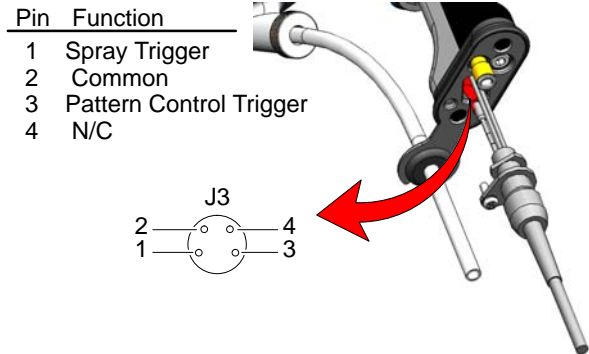


Figure 14 Trigger Switch Continuity Test

Repair



WARNING: Allow only qualified personnel to perform the following tasks. Follow the safety instructions in this document and all other related documentation.



WARNING: Turn off the electrostatic voltage and ground the spray gun electrode before performing the following tasks. Failure to observe this warning could result in a severe shock.

Nozzle and Powder Tube Replacement

1. Shut off the controller power switch.
2. See Figure 15. Unscrew the lock knob (7) and pull the powder tubing out of the adapter (9).

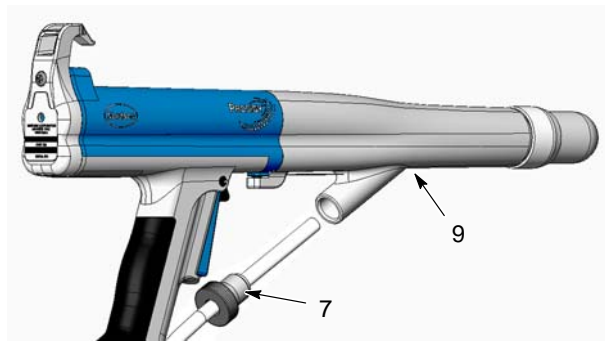


Figure 15 Disconnecting the Powder Tubing

3. See Figure 16. Unscrew the retaining nut (12) and remove it from the spray gun.
4. Unscrew the nozzle (11) from the retaining nut.
5. Pull the powder tube (10) out of the adapter.

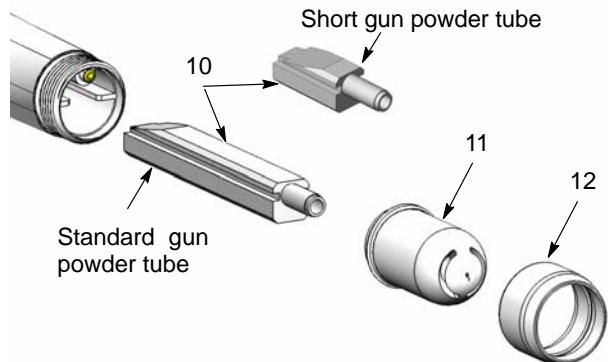


Figure 16 Removing the Air Cap and Powder Tube

6. Slide a new powder tube into the adapter.
7. Screw the nozzle back into the retaining nut, then install the nozzle onto the powder tube and screw the retaining nut back onto the adapter.
8. See Figure 15. Push the powder tubing into the adapter until it bottoms out against the powder tube. Screw the lock knob into the adapter and tighten until snug.

Control Cable Replacement

1. Shut off the gun controller power switch and remove the powder tubing from the gun. Refer to step 2 of *Nozzle and Powder Tube Replacement*.
2. Remove the gun from the spray area (at least one meter (3 ft) from the spray booth).
3. See Figure 17. Remove the screw (36) securing the cable (37) to the bottom of the gun handle.
4. Rotate the cable to release it from the handle base. Gently pull down on the cable until you can grasp the trigger switch receptacle (28).
5. Disconnect the trigger cable plug (J3) from the trigger switch receptacle.

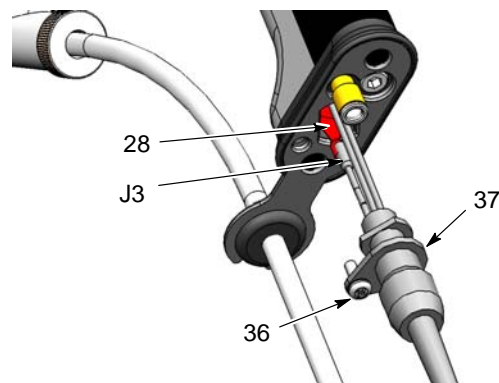


Figure 17 Disconnecting the Control Cable from the Handle

Control Cable Replacement (contd)

- See Figure 18. Remove the end cap screw (21) and end cap (20) from the gun body.

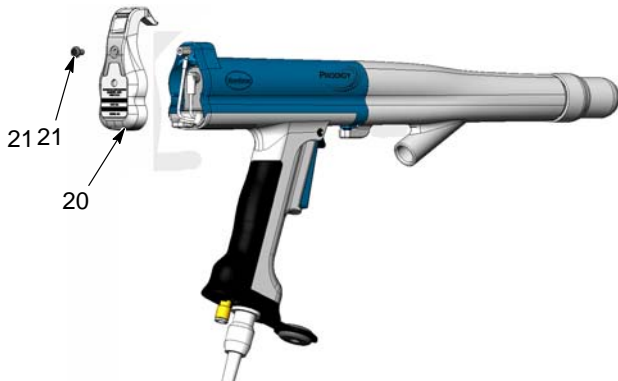


Figure 18 Removing the End Cap

- See Figure 19. Disconnect the multiplier connector (J2) from the multiplier receptacle.
- Remove the post and lock washer (17, 16) to disconnect the ground terminal (GND).



Figure 19 Disconnecting the Control Cable

- See Figure 20. Lift up on the back of the gun body (14) to unsnap it from the handle, then push the body forward to separate it from the handle (23).

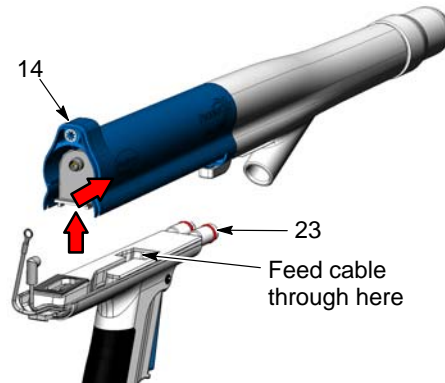


Figure 20 Separating the Gun Body from the Handle

- Feed the ground and multiplier wiring through the opening in the handle.
- Perform the previous steps in reverse to install a new cable.

Resistor and Electrode Replacement

Resistor and Electrode Removal

- See Figure 15. Unscrew the lock knob (7) and pull the powder tubing out of the adapter (9).
- See Figure 21. Loosen the set screw (5) in the bottom on the adapter.

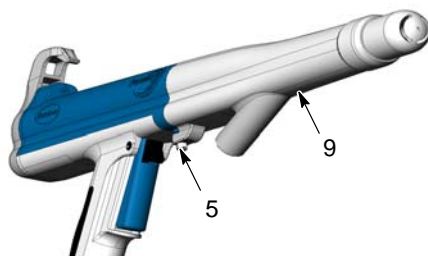


Figure 21 Loosening the Adapter Set Screw

Resistor and Electrode Removal (contd)

- See Figure 22. Pull the adapter (9) straight off the gun body (14).

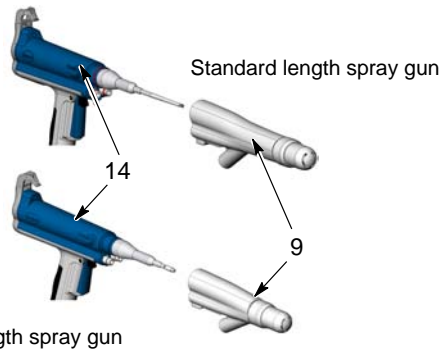


Figure 22 Removing the Adapter

- See Figure 23. Unscrew the resistor holder (3) from the multiplier (19).

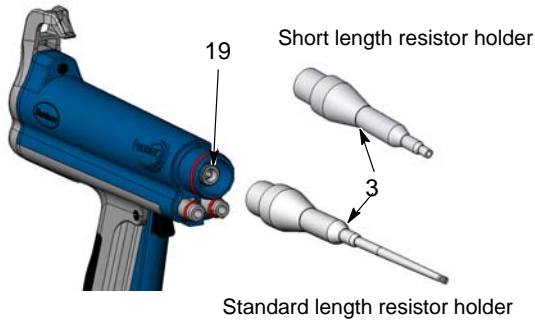


Figure 23 Removing the Resistor Holder

- See Figure 24. Remove the contact spacer (18) from the multiplier well. Wipe the dielectric grease off the contact spacer.

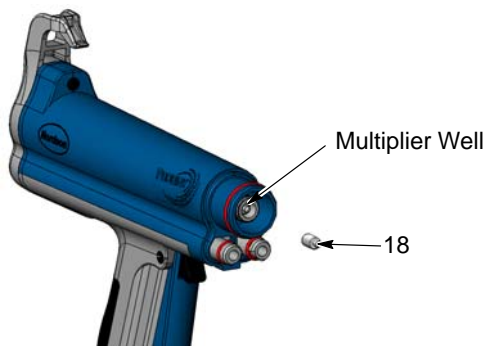


Figure 24 Removing the Contact Spacer

- See Figure 25. Remove the resistor (4) from the resistor holder (3). Clean the resistor holder.



Figure 25 Removing the Resistor from the Holder

- See Figure 26. Standard Length only: To replace the electrode (2), pull it out of the electrode holder (1).

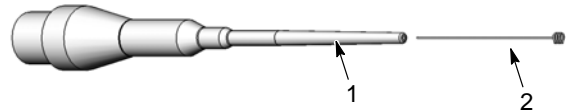


Figure 26 Replacing Electrode

Clean and inspect the resistor holder and electrode holder. Replace the holders if you find carbon tracks or pin holes in them.

Resistor and Electrode Installation

- See Figure 26. If removed, install the electrode in the electrode holder, then thread the electrode holder into the resistor holder.
- See Figure 25. Inject approximately 0.60 cc of dielectric grease into the resistor well.
- Insert the resistor into the resistor holder until it bottoms out, then fill the resistor well with approximately 0.8 cc of dielectric grease.
- See Figure 24. Insert the contact spacer into the multiplier well. Fill the multiplier well with dielectric grease.
- See Figure 23. Screw the resistor holder onto the multiplier.
- See Figures 22 and 21. Install the adapter on the gun body. Tighten the set screw.
- See Figure 15. Push the powder tubing into the adapter until it bottoms out against the powder tube. Screw the lock knob into the adapter and tighten it snugly.

Multiplier Replacement

Removal

1. Remove the resistor holder. Refer to steps 1-4 of the *Resistor and Electrode Replacement* procedure.
2. Remove the end cap and disconnect the control cable. Refer to steps 6-8 of the *Control Cable Replacement* procedure.
3. Push the multiplier out of the gun body from the front.
4. See Figure 27. Remove the contact spacer (18) from the multiplier well. Clean the dielectric grease off the contact spacer.



Figure 27 Removing the Contact Spacer

Assembly

1. See Figure 27. Insert the contact spacer into the multiplier well. Fill the multiplier well with dielectric grease.
2. Install the multiplier into the gun body.
3. Fill the resistor holder well with dielectric grease. Refer to *Resistor and Electrode Installation* instructions.
4. See Figure 23. Screw the resistor holder onto the multiplier.
5. See Figures 22 and 21. Install the adapter over the electrode and resistor holders. Tighten the set screw.
6. See Figure 19. Connect the ground wire to the gun body with the lockwasher and post. Connect the multiplier connector (J3) to the multiplier receptacle.
7. See Figure 18. Install the end cap on the gun body with the screw.
8. See Figure 15. Push the powder tubing into the adapter until it bottoms out against the powder tube, then thread the lock knob into the adapter and tighten it snugly.

Parts

Prodigy Manual Spray Gun - Standard Length

Item	Part	Description	Quantity	Note
—	1053594	GUN, manual, 95 kV, Prodigy	1	
1	1010561	• HOLDER, electrode, M4	1	
2	1064038	• ELECTRODE, spring contact, 0.154 diameter	1	
3	1049605	• HOLDER, resistor, Prodigy, manual	1	
4	1053912	• KIT, resistor, cable, series	1	
5	982455	• SCREW, set, M6 x 1 x 8, nylon, black	1	
6	1047796	• GRIP RING, 8 mm, TE	1	A
7	1047934	• KNOB, lock, powder tube	1	
8	940117	• O-RING, silicone, 0.312 x 0.438 x 0.063 in.	3	
9	1053897	• KIT, adapter/spring plunger assembly	1	C
10	1049603	• POWDER TUBE, Prodigy manual	1	
11	1062223	• KIT, nozzle, 70 degree, conical	1	B
12	1047536	• NUT, retaining	1	
13	940212	• O-RING, silicone, 0.938 x 1.063 x 0.063 in.	1	
14	1053683	• BODY, handgun, Prodigy	1	
15	288815	• RIVET, snap, 0.125 in. diameter, black, Nylon	1	
16	983416	• WASHER, lock, internal, M4, steel, zinc	1	
17	288553	• POST, spacer, hex	1	
18	1053595	• SPACER, contact	1	
19	288552	• POWER SUPPLY, 95 kV, negative	1	C
20	-----	• CAP, end, handgun	1	
21	982800	• SCREW, pan, recessed, M4 x 6, black, zinc	1	
22	1069680	• GASKET, cover, handgun	1	
23	288561	• HANDLE, w/cover, handgun	1	
23A	288534	• • GASKET, base, hand gun	1	
24	288541	• TRIGGER, purge, handgun	1	
25	288542	• TRIGGER, actuator, handgun	1	
26	288537	• PIVOT, threaded, gun, M5	1	
27	288549	• SWITCH, keypad, trigger/purge	1	
28	288550	• PAD, ground, small, handgun	1	C
29	288538	• BASE, handle, handgun	1	
30	1062113	• GROMMET, Buna-N, 0.312 ID x 1.00 in. OD	1	
31	288545	• BRACKET, hose, handgun	1	
32	982801	• SCREW, oval, recessed, M4 x 20, black, zinc	2	
33	328524	• CONNECTOR, male, w/integral hex, 6 mm tube x M5	1	
34	973402	• PLUG, pipe, socket, flush, 1/8 in. NPT, zinc	1	
35	982825	• SCREW, pan head, rec, M4 x 12, with integral lock washer bezel, black, zinc	1	
36	1053914	• KIT, cable, handgun, Prodigy, 6 meter	1	
37	1073706	• KIT, nozzle, flat spray, dual slot, converging angle, 1 mm	1	B

NOTE A: Also available in packages of 10. Refer to page 22 for service kits.
 B: Refer to page NO TAG for conical nozzles and components; pages NO TAG and 25 for flat spray, cross, and pinpoint nozzles and components.
 C: Refer to page 22 for options.

NS: Not Shown

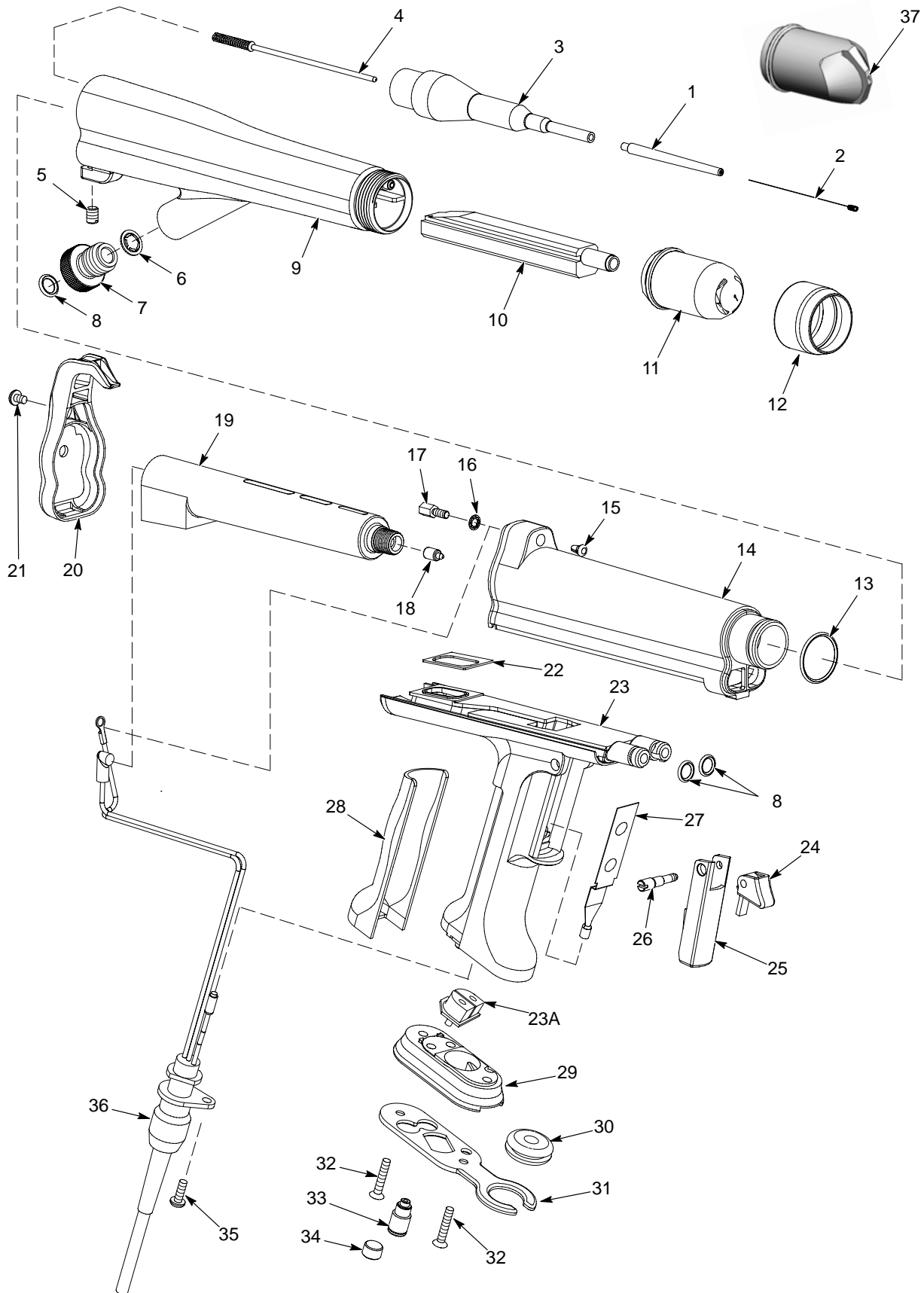


Figure 28 Prodigy Manual Spray Gun - Standard Length

Prodigy Manual Spray Gun - Short Length

Item	Part	Description	Quantity	Note
—	1074047	GUN, manual, 95 kV, Prodigy, short	1	
3	1073936	• HOLDER, resistor, Prodigy, manual, short	1	
4	1053912	• KIT, resistor, cable, series	1	
5	982455	• SCREW, set, M6 x 1 x 8, nylon, black	1	
6	1047796	• GRIP RING, 8 mm, TE	1	A
7	1047934	• KNOB, lock, powder tube	1	
8	940117	• O-RING, silicone, 0.312 x 0.438 x 0.063 in.	3	
9	1074058	• KIT, adapter/spring plunger assembly, short	1	C
10	1073937	• POWDER TUBE, Prodigy manual, short	1	
11	1062223	• KIT, nozzle, 70 degree, conical	1	B
12	1047536	• NUT, retaining	1	
13	940212	• O-RING, silicone, 0.938 x 1.063 x 0.063 in.	1	
14	1074027	• BODY, handgun, Prodigy	1	
15	288815	• RIVET, snap, 0.125 in. diameter, black, Nylon	1	
16	983416	• WASHER, lock, internal, M4, steel, zinc	1	
17	288553	• POST, spacer, hex	1	
18	1053595	• SPACER, contact	1	
19	288552	• POWER SUPPLY, 95 kV, negative	1	C
20	-----	• CAP, end, handgun	1	
21	982800	• SCREW, pan, recessed, M4 x 6, black, zinc	1	
22	1069680	• GASKET, cover, handgun	1	
23	288561	• HANDLE, w/cover, handgun	1	
23A	288534	• • GASKET, base, hand gun	1	
24	288541	• TRIGGER, purge, handgun	1	
25	288542	• TRIGGER, actuator, handgun	1	
26	288537	• PIVOT, threaded, gun, M5	1	
27	288549	• SWITCH, keypad, trigger/purge	1	
28	288550	• PAD, ground, small, handgun	1	C
29	288538	• BASE, handle, handgun	1	
30	1062113	• GROMMET, Buna-N, 0.312 ID x 1.00 in. OD	1	
31	288545	• BRACKET, hose, handgun	1	
32	982801	• SCREW, oval, recessed, M4 x 20, black, zinc	2	
33	328524	• CONNECTOR, male, w/integral hex, 6 mm tube x M5	1	
34	973402	• PLUG, pipe, socket, flush, 1/8 in. NPT, zinc	1	
35	982825	• SCREW, pan head, rec, M4 x 12, with integral lock washer bezel, black, zinc	1	
36	1053914	• KIT, cable, handgun, Prodigy, 6 meter	1	
37	1073706	• KIT, nozzle, flat spray, dual slot, converging angle, 1 mm	1	B

NOTE A: Also available in packages of 10. Refer to page 22 for service kits.

B: Refer to page NO TAG for conical nozzles and components; pages 24 and 25 for flat spray, cross, and pinpoint nozzles and components.

C: Refer to page 22 for options.

NS: Not Shown

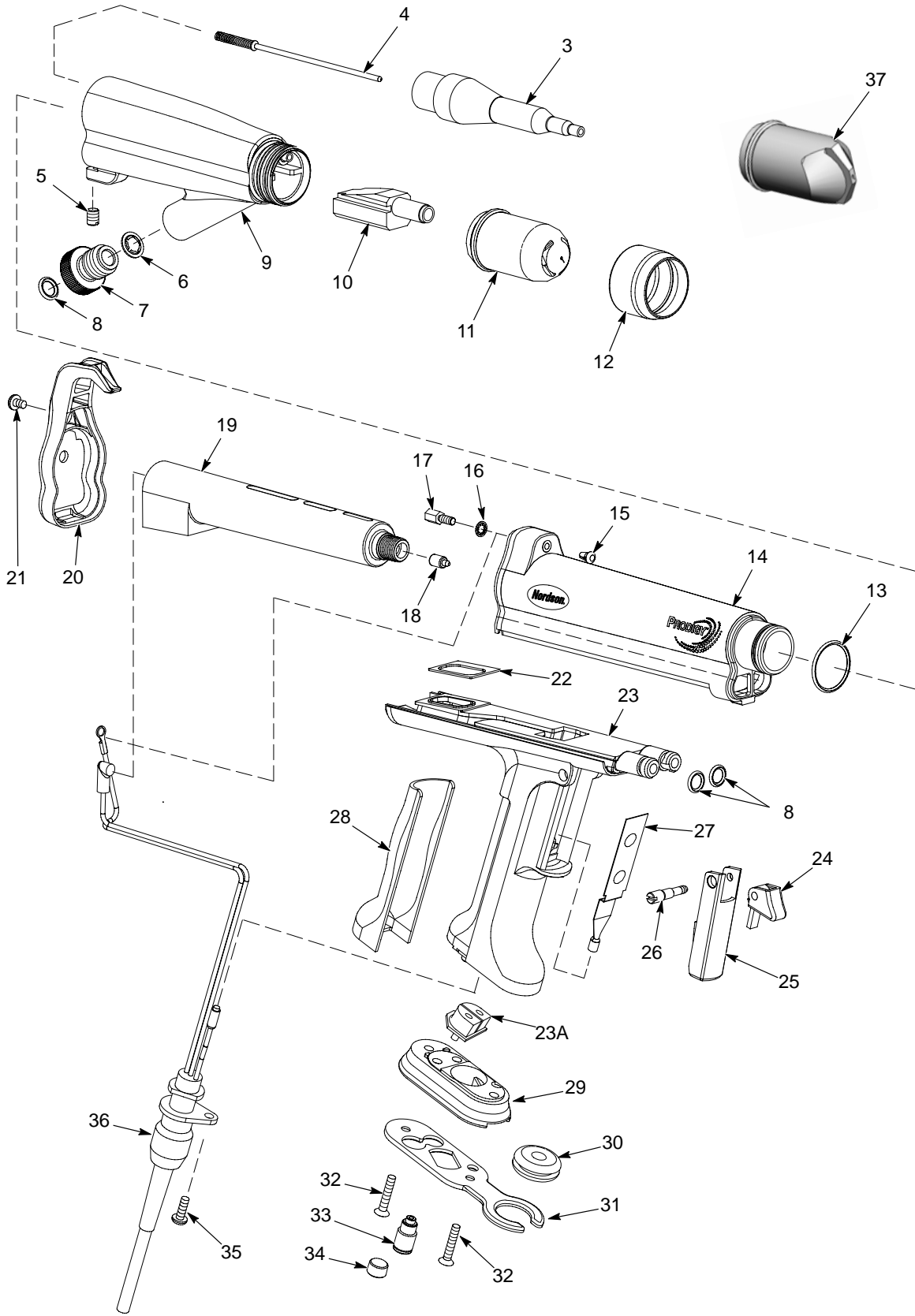


Figure 29 Prodigy Manual Spray Gun - Short Length

Service Kits

Part	Description	Note
1053911	KIT, grip ring, 8 mm TE, 10-pack	A
1053914	KIT, cable, handgun, Prodigy, 6 meter	
1053912	KIT, resistor, cable, series	
1075010	KIT, resistor holder, standard gun	
1074222	KIT, resistor holder, short gun	

NOTE A: Refer to spray gun parts list for quantity one part numbers.

Options

Part	Description	Note
1073682	KIT, tool, insertion/extraction, nozzle	
288544	PAD, ground, medium, hand gun	A
1074223	KIT, adapter, gun Prodigy, long to short	B
1075011	KIT, adapter, gun Prodigy, short to long	B
302112	POWER SUPPLY, 95 kV, positive	
245733	APPLICATOR, dielectric grease	C
161411	PLUG, shorting, IPS	D
1036142	CABLE, handgun, 4 meter extension	E
1067602	LANCE EXTENSION, 150 mm, Prodigy	F, G
1067643	LANCE EXTENSION, 300 mm, Prodigy	F, G

NOTE A: For operators with larger hands. Replaces standard pad.
 B: Order the appropriate kit to convert the Prodigy manual spray gun to the desired length.
 C: Carton of 12 3-cc dielectric grease applicators.
 D: Use for testing multiplier/resistor/electrode resistance.
 E: Do not add more than two extension cables to the gun cable.
 F: Instruction sheet 1067606, shipped with lance extensions, contains spare parts list for extensions.
 G: Lance extension can only be used on the standard length Prodigy manual gun.

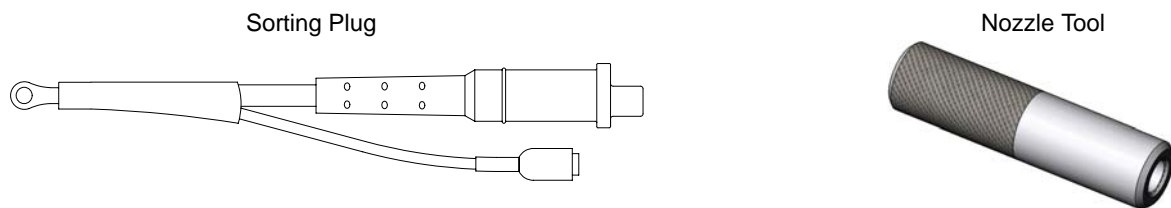


Figure 30 Options

Powder and Air Tubing

Powder and air tubing are not supplied with the spray gun.

Part	Description	Note
173101	TUBING, polyethylene, 8 mm x 6 mm, natural (Powder)	
900742	TUBING, polyurethane, 6/4 mm, blue (Air)	
1062178	TUBING CUTTER, 12 mm or less	

Conical Nozzles

Part	Description	Effective Pattern Size	Usage	Note
1062223	KIT, nozzle, 70 degree, conical	4-6 inches (101-152 mm)	General use on manual or automatic guns	A
1062160	• NOZZLE, 70 degree, conical (shell)			C
1062166	KIT, nozzle, 100 degree, conical	6-8 inches (152-230 mm)	General use on manual or automatic guns	B
1062161	• NOZZLE, 100 degree, conical (shell)			C
1073819	KIT, nozzle, conical, 40 degree, conical	2-4 inches (51-102 mm)	Manual coating and touch-up	B
1073818	• NOZZLE, 40 degree, conical (shell)			C

NOTE A: One of each supplied with spray gun.
 B: Optional nozzles, not included with spray gun.
 C: Nozzle shell only. Does not include internal components.



Figure 31 Conical Nozzles

Conical Nozzle Components

Refer to Options on page 22 for nozzle tool used to disassemble nozzles.

Item	Part	Description	Quantity	Note
1	940203	O-RING, silicone, 0.875 x 1.00 x 0.063 in.	1	
2	1047537	ELECTRODE ring	1	
3	940126	O-RING, silicone, 0.375 x 0.50 x 0.063 in.	1	
4	940163	O-RING, silicone, 0.625 x 0.75 x 0.063 in.	1	
5	1073625	INSERT, metric, conical/flat nozzles	1	
6	1073624	CONE, porous, nozzle	1	A
7	1062177	ELECTRODE, spring contact, 0.094 dia, Prodigy	1	

NOTE A: Also available in quantities of 10. Order kit 1073707.

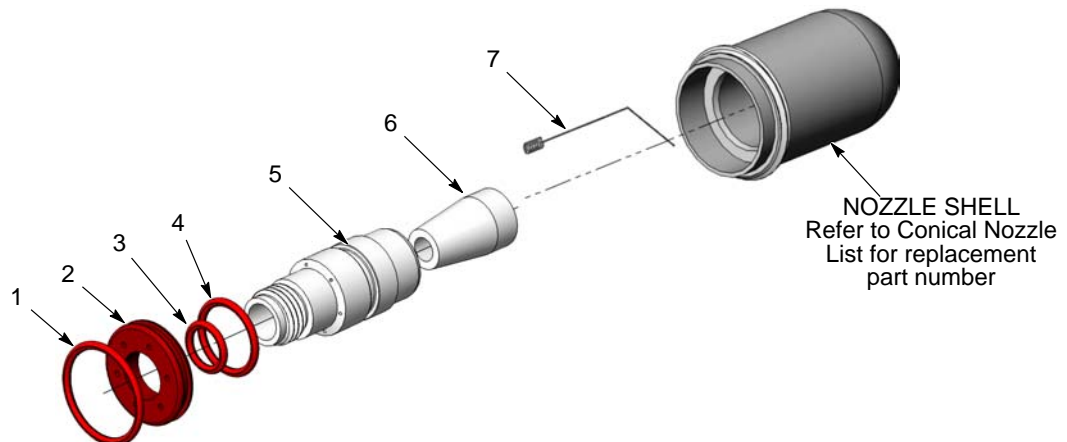


Figure 32 Conical Nozzle Components

Flat Spray, Cross, and Pinpoint Nozzles

Refer to Figure 34 and parts list for nozzle internal components.

Part	Description	Effective Pattern Size	Usage	Note
1073706	KIT, nozzle, flat spray, dual slot, converging angle, 1 mm	8-10 inches (203-254 mm)	General use on manual or automatic guns	
1073726	• KIT, nozzle, dual converging slots, shell with electrode			C
1077385	KIT, nozzle, flat spray, Prodigy, 75 degree	6-8 inches (152-230 mm)	General use on manual or automatic guns	A
1077395	• NOZZLE, shell with electrode, flat spray, Prodigy, 75 degrees			C
1077382	KIT, nozzle, flat spray, Prodigy, 90 degree	2-4 inches (51-102 mm)	Manual coating and touch-up	A
1077394	• NOZZLE, shell with electrode, flat spray, Prodigy, 90 degree			C
1077388	KIT, nozzle, flat spray, Prodigy, 115 degree	9-11 inches (229-279 mm)	General use on manual or automatic guns	A
1077396	• NOZZLE, shell with electrode, flat spray, Prodigy, 115 degree			C
1077392	KIT, nozzle, flat spray, Prodigy, 140 degree	11-13 inches (279-330 mm)	Large flat surfaces	A
1077397	• NOZZLE, shell with electrode, flat spray, Prodigy, 140 degree			C
1073911	KIT, nozzle, flat spray, Prodigy, 180 degree	13-15 inches (330-381 mm)	Large flat surfaces	A
1077393	• NOZZLE, shell with electrode, flat spray, Prodigy, 180 degree			C
1077584	NOZZLE assembly, cross, Prodigy, 4 slot, 60 degree	3-5 inches (76-127 mm)	Manual coating and touch-up	B
1077893	• NOZZLE, shell with electrode, cross, Prodigy, 4 slot, 60 degree			C
1077585	NOZZLE assembly, cross, Prodigy, 4 slot, 90 degree	2-4 inches (51-102 mm)	Manual coating and touch-up	B
1077894	• NOZZLE, shell with electrode, cross, Prodigy, 4 slot, 90 degree			C
1077586	NOZZLE assembly, cross, Prodigy, 6 slot, 60 degree	2-3 inches (51-76 mm)	Manual coating - deep recesses	B
1077895	• NOZZLE, shell with electrode, cross, Prodigy, 6 slot, 60 degree			C
1077587	NOZZLE assembly, pinpoint, Prodigy, 10 hole	Pinpoint	Manual coating - touch-up and deep recesses	B
1077896	• NOZZLE, shell with electrode, pinpoint, Prodigy, 10 hole			C
<p>NOTE A: These kits include spare nozzle shell with electrode. B: Complete nozzle assembly with shell. C: Nozzle shell with electrode only.</p>				

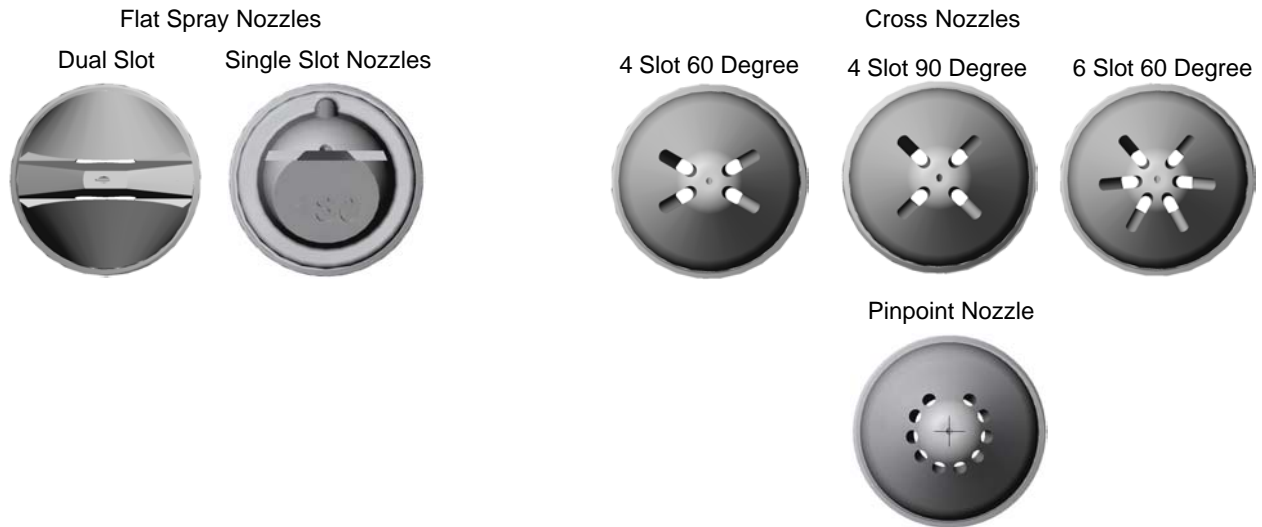


Figure 33 Flat Spray, Cross, and Pinpoint Nozzles

Flat Spray, Cross, and Pinpoint Nozzle Components

Refer to Options on page 22 for nozzle tool used to disassemble nozzles.

Item	Part	Description	Quantity	Note
-	—	• NOZZLE ASSEMBLIES	1	A
1	940203	• O-RING, silicone, 0.875 x 1.00 x 0.063 in.	1	
2	1047537	• ELECTRODE ring	1	
3	940126	• O-RING, silicone, 0.375 x 0.50 x 0.063 in.	1	
4	940163	• O-RING, silicone, 0.625 x 0.75 x 0.063 in.	1	
5	1073625	• INSERT, metric, conical/flat nozzles	1	
6	1073624	• CONE, porous, nozzle	1	B
7	—	• NOZZLE shell with electrode	1	A

NOTE A: Refer to Nozzle parts list on previous page for part numbers.
 B: Also available in quantities of 10. Order kit 1073707.

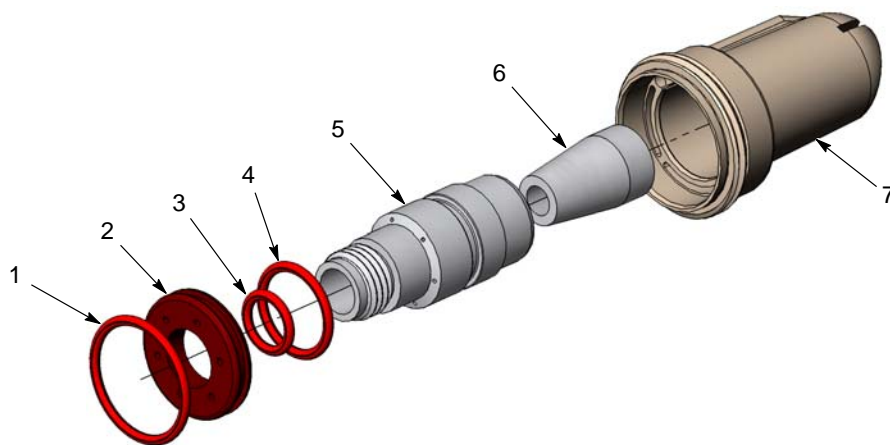


Figure 34 Flat Spray, Cross, and Pinpoint Nozzle Components

26 Prodigy® Manual Powder Spray Gun

DECLARATION of CONFORMITY

Nordson Corporation
declare under our sole responsibility that the products

Prodigy, Powder Electrostatic applicators including control cables used with Prodigy, Manual Controls

to which this declaration relates complies with the following Directives:

- **Machinery Directive 89/37/EEC**
- **EMC Directive 89/336/EEC**
- **ATEX Directive 94/9/EC**

The conformity is under observance of the following standards or standards documents:

EN292	EN50014	EN50081-1
EN1953	EN50050	EN50082-2
IEC 417L	EN50281-1-1	EN55011
EN60204	FM7260	

Type of protection:

- **II 2 D EEx 2 mj , Ambient temperature: 20°C to + 40°C**

N° of EC type Certificate:

- **SIRA 05 ATEX 5112X**

N° of notified body (ATEX surveillance):

- **1180**

ISO 9000 certificate

DNV



Joseph Schroeder
Engineering Manager,
Finishing Product Development Group

Date: 3 October, 2005



