



Manual Spray Gun Catalog

Gravity Fed Spray Guns

From the development of our first spray gun in 1925 to our new Century Series, Anest Iwata has been the pioneer in spray technology for over 75 years. Anest Iwata's commitment to quality, innovation and service is unparalleled. Look to Anest Iwata as the leader in the spray gun industry.

LPH400 LV

High performance center post gravity fed HVLP spray gun with low air consumption and superior atomization.

PCG6PM #6000
600ml Plastic Cup

PCG7M #6033B
700ml Aluminum Cup

PCG10M #6034B
1000ml Aluminum Cup

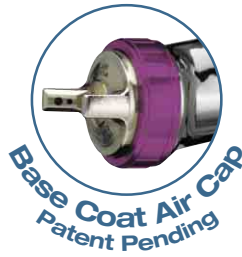
Model	Nozzle Size	Pattern Width (in.)	PSI	CFM	Gun Only #	PCG6PM #6000	PCG7M #6033B	PCG10M #6034B	M&S #6040	Usage	
LPH400-124LV	1.2	10.2	16	9.5	5540	5541	5542	5543	5549	Fine Metallic / Spot Repair	
LPH400-134LV	1.3	11.0	16	9.5	5640	5641	5642	5643	5659	Base Coat / Clear Coat Waterborne Base Coat	
LPH400-144LV	1.4	11.4	16	9.5	5550	5551	5552	5553	5559	Base Coat / Clear Coat Single Stage	
LPH400-154LV	1.5	11.6	16	9.5	5535	5536	5537	5538	5539	Clear Coat / Single Stage	
LPH400-164LV	1.6	11.8	16	9.5	5560	5561	5562	5563	5569	Sealers / Enamels	
LPH400-184LV	1.8	12.6	16	9.5	5570	5571	5572	5573	5579	Primers	
LPH400-LV		Air Cap Test Gauge	Air Cap #LV4	Part #2995							



LV Technology

LPH400 LVB

LPH400 LV with super base coat air cap for excellent metallic control.



Model	Nozzle Size	Pattern Width (in.)	PSI	CFM	Gun Only #	PCG6PM #6000	PCG7M #6033B	PCG10M #6034B	M&S #6040	Usage	
LPH400-134LVB	1.3	12.6	14	8.3	5700	5701	5702	5703	5704	Fine Metallic	
LPH400-144LVB	1.4	12.8	14	8.3	5705	5706	5707	5708	5709	Fine Metallic	
LPH400-154LVB	1.5	13.2	14	8.3	5710	5711	5712	5713	5714	Fine Metallic	
LPH400-LVB		Air Cap Test Gauge	Air Cap #LVB	Part #2996							

LPH300 LV

Compact size center post gravity fed HVLP spray gun with full size performance.

PCG4-2 #6031
400ml Aluminum Cup

PCG7-2 #6032
700ml Aluminum Cup

Optional
PCG2-2 #6030
150ml
Aluminum Cup

Model	Nozzle Size	Pattern Width (in.)	PSI	CFM	Gun Only #	PCG4-2 #6031	PCG7-2 #6032	M&S #6041	Usage		
LPH300-124LV	1.2	8.0	15	7.1	3940	3941	3942	3943	Spot Repair		
LPH300-134LV	1.3	8.5	15	7.1	3955	3956	3957	3958	Base Coat		
LPH300-144LV	1.4	9.0	15	7.1	3945	3946	3947	3948	Base Coat / Clear Coat		
LPH300-164LV	1.6	9.0	19	8.5	3950	3951	3952	3953	Sealers		
LPH300-184LV	1.8	9.0	19	8.5	3960	3961	3962	3963	Primers		
LPH300-204LV	2.0	9.0	19	8.5	3965	3966	3967	3968	HS Primer		
LPH300-LV		Air Cap Test Gauge	Air Cap #LV4	Part #2985							



LV Technology

W400LV

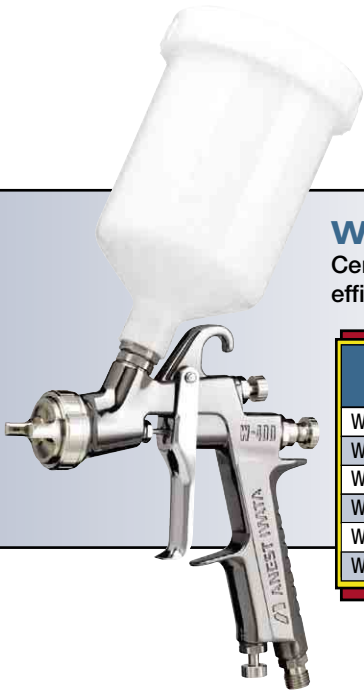
Center post gravity fed spray gun combines LV Technology with High-TEC standard to give you high transfer efficiency control and superior atomization.

PCG6PM #6000
600ml Plastic Cup

PCG7M #6033B
700ml Aluminum Cup

PCG10M #6034B
1000ml Aluminum Cup

Model	Nozzle Size	Pattern Width (in.)	PSI	CFM	Gun Only #	PCG6PM #6000	PCG7M #6033B	PCG10M #6034B	M&S #6040	Usage
W400LV-124G	1.2	9.6/12.2	20/26	10.0/12.0	4750	4751	4752	4753	4754	Spot Repair
W400LV-134G	1.3	10.2/13.0	20/26	10.0/12.0	4755	4756	4757	4758	4759	Base Coat / Clear Coat
W400LV-144G	1.4	10.8/13.8	20/26	10.0/12.0	4760	4761	4762	4763	4764	Base Coat / Clear Coat
W400LV-164G	1.6	11.2/14.2	20/26	10.0/12.0	4765	4766	4767	4768	4769	Sealers
W400LV-184G	1.8	11.8/15.0	20/26	10.0/12.0	4770	4771	4772	4773	4774	Primers



W400

Center post gravity fed spray gun with high transfer efficiency control and superior atomization.

PCG6PM #6000
600ml Plastic Cup

PCG7M #6033B
700ml Aluminum Cup

PCG10M #6034B
1000ml Aluminum Cup

Model	Nozzle Size	Pattern Width (in.)	PSI	CFM	Gun Only #	PCG6PM #6000	PCG7M #6033B	PCG10M #6034B	M&S #6040	Usage
W400-122G	1.2	9.1	29	9.9	4700	4702	4702T	4702U	4704	Fine Metallics
W400-132G	1.3	10.2	29	9.9	4725	4727	4727T	4727U	4729	Base Coat / Clear Coat
W400-142G	1.4	11.0	29	9.9	4705	4707	4707T	4707U	4709	Base Coat / Clear Coat / Single Stage
W400-162G	1.6	11.8	29	9.9	4710	4712	4712T	4712U	4714	Enamels
W400-182G	1.8	11.9	29	10.2	4715	4717	4717T	4717U	4719	Sealers
W400-251G	2.5	13.4	43	12.7	4720	4722	4722T	4722U	4724	HS Primer



W300

Compact size center post gravity air spray gun ideal for spot repair or spraying in confined areas.

PCG4-2 #6031
400ml Aluminum Cup

PCG7-2 #6032
700ml Aluminum Cup

Optional
PCG2-2 #6030
150ml
Aluminum Cup

Model	Nozzle Size	Pattern Width (in.)	PSI	CFM	Gun Only #	PCG4-2 #6031	PCG7-2 #6032	Usage
W300-081G	0.8	3.9	30/35	2.3/2.6	4800	4801	4802	Spot Repair
W300-101G	1.0	5.1	35	5.1	4805	4806	4807	Fine Metallic
W300-132G	1.3	6.9	35	7.9	4810	4811	4812	Base Coat
W300-134G	1.3	8.1	28	7.4	4815	4816	4817	Base Coat / Fine Metallic
W300-141G	1.4	7.1	35	7.9	4820	4821	4822	Base Coat
W300-161G	1.6	7.9	35	5.3	4825	4826	4827	Sealers



Pressure and Siphon Fed Spray Guns

LPH200P / LPH200 LVP

High performance and lightweight pressure fed HVLP spray gun.

Model	Nozzle Size	Pattern Width (in.)	PSI	CFM	Gun Only #	Usage
LPH200 Pressure						
LPH200-102P	1.0	10.7	28	17.7	5403	HS 2.8 - 3.5 voc
LPH200-122P	1.2	11.8	28	17.7	5400	5.0 voc
LPH200-142P	1.4	12.5	28	17.7	5405	Enamels
LPH200 LV Pressure						
LPH200-086LVP	0.8	12.6	28	13.5	5406	High Metallic 2.8 - 3.5 voc
LPH200-106LVP	1.0	13.0	28	13.5	5407	HS 2.8 - 3.5 voc
LPH200-126LVP	1.2	13.8	28	13.5	5408	Enamels 3.5 - 5.0 voc / Primers
LPH200-P		Air Cap Test Gauge		Air Cap #G2P		Part #2991
LPH200-LVP		Air Cap Test Gauge		Air Cap #LV6		Part #2992



LPH100P

High performance, compact and lightweight pressure fed HVLP spray gun.



Model	Nozzle Size	Pattern Width (in.)	PSI	CFM	Gun Only #	Usage
LPH100-081P	0.8	6.7	38	15.2	5310	High Metallic 2.8 - 3.5 voc
LPH100-101P	1.0	7.9	38	15.2	5313	HS 3.5 voc
LPH100-122P	1.2	9.4	50	18.7	5325	Enamels 3.5 - 5.0 voc
LPH100-131P	1.3	9.8	38	15.2	5316	Enamels 5.0 voc
LPH100-151P	1.5	10.6	38	15.2	5319	Primers
LPH100-P		Air Cap Test Gauge		Air Cap #G2P		Part #2986 use with #5325 only
				Air Cap #E1P		Part #2987 use with all other LPH100P air caps



PCL 7B2 #6019
700ml



PCL 10B2 #6015
1000ml

LPH100 LVS

High performance, compact and lightweight siphon fed HVLP spray gun.

Model	Nozzle Size	Pattern Width (in.)	PSI	CFM	Gun Only #	PCL 7B2 #6019	PCL 10B2 #6015	Usage
LPH100-144LVS	1.4	7.1	14	7.0	5375	5376	5377	Base Coat / Clear Coat
LPH100-164LVS	1.6	7.5	14	7.0	5385	5386	5387	Enamels
LPH100-LVS		Air Cap Test Gauge		Air Cap #LV4		Part #2985		



W200P / W200S

A lightweight gun with high transfer efficiency control.
Available in pressure or siphon fed models.



PCL 7B3 #6021
700ml - W200S ONLY

PCL 10B3 #6017
1000ml - W200S ONLY



Model	Nozzle Size	Pattern Width (in.)	PSI	CFM	Gun Only #	PCL 7B3 #6021	PCL 10B3 #6017	Usage
W200 Pressure								
W200-122P	1.2	15.7	42	19.8	4600	n/a	n/a	Base Coat / Clear Coat
W200 Siphon								
W200-152S	1.5	11.4	42	11.7	4615	4616	4617	Base Coat / Clear Coat
W200-182S	1.8	13.4	42	11.7	4625	4626	4627	Enamels
W200-201S	2.0	10.2	42	9.2	4630	4631	4632	Sealers
W200-202S	2.0	11.4	42	12.7	4640	4641	4642	Primers
W200-251S	2.5	11.0	42	12.7	4650	4651	4652	Primers

W100P / W100S

A compact gun with high transfer efficiency control.
Available in pressure or siphon fed models.



PCL 7B2 #6019
700ml for W100S only

PCL 10B2 #6015
1000ml for W100S only



Model	Nozzle Size	Pattern Width (in.)	PSI	CFM	Gun Only #	PCL 7B2 #6019	PCL 10B2 #6015	Usage
W100 Pressure								
W100-082P	0.8	7.5	35	9.5	4400	n/a	n/a	High Metallics
W100-102P	1.0	8.7	35	9.5	4403	n/a	n/a	HS Top Coat
W100-132P	1.3	8.3	35	7.8	4405	n/a	n/a	Enamels
W100-152P	1.5	9.4	35	7.8	4407	n/a	n/a	Primers
W100 Siphon								
W100-101S	1.0	4.7	35	2.6	4420	4421	4422	
W100-132S	1.3	6.3	35	7.9	4430	4431	4432	Top Coat
W100-134S	1.3	8.1	28	7.4	4580	4581	4582	Top Coat
W100-152S	1.5	6.9	35	7.9	4440	4441	4442	Sealers
W100-181S	1.8	6.7	35	5.3	4445	4446	4447	Primers

PRESSURE POT

Model	Part #
PC18D 2QT Pressure Pot	6003B
Optional Accessories	
Optional 1 for W100/LPH100	
6ft Air Hose w/ends 1/4 x 1/4	8000
6ft Fluid Hose w/ends 1/4 x 3/8	8044

Model	Part #
Optional Accessories	
Optional 2 for W200/LPH200	
6ft Air Hose w/ends 1/4 x 1/4	8000
6ft Fluid Hose w/ends 3/8 x 3/8	8007

Optional accessories not shown



Specialty

LPH50

A high performance miniature HVLP spray gun with side mounted cup. Superior atomization with low air consumption for small touch-up and custom painting.



PC61 #6010
130ml SST Cup

PC5 #6009
250ml Aluminum Cup

LPH50 shown with #6022
airbrush bottle adapter kit

Model	Nozzle Size	Pattern Width (in.)	PSI	CFM	Gun Only #	PC61 #6010	PC5 #6009
LPH50-042G	0.4	1.6	13	1.8	5261	5272	5271
LPH50-062G	0.6	2.4	13	1.8	5262	5274	5273
LPH50-102G	1.0	3.9	13	1.8	5263	5276	5275

LPH50 Air Cap Test Gauge for All Cap Models Part #2981
 LPH50 Airbrush Bottle Adapter Only Part #6022-1
 LPH50 Airbrush Bottle Adapter Kit with Three 2oz. Bottles Part #6022

LPH100 LVG

High performance compact HVLP spray gun with side mounted gravity cup, low air consumption and superior atomization.



LV Technology



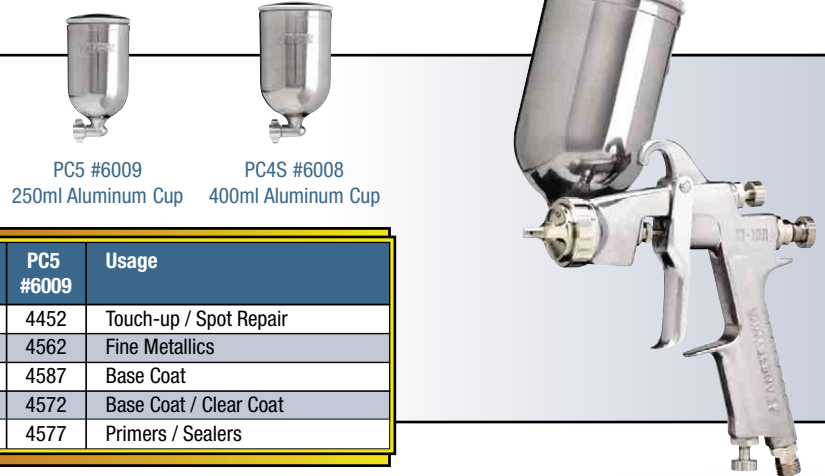
PC4S #6008
400ml Aluminum Cup

PCG6P2 #6011
600ml Plastic Cup

Model	Nozzle Size	Pattern Width (in.)	PSI	CFM	Gun Only #	PCG6P2 #6011	PC4S #6008	Usage
LPH100-124LVG	1.2	7.1	14	7.1	5360	5361	5362	Fine Metallics
LPH100-144LVG	1.4	8.7	14	7.1	5370	5371	5372	Base Coat / Clear Coat / Single Stage
LPH100-164LVG	1.6	8.7	18	8.5	5380	5381	5382	Sealer
LPH100-184LVG	1.8	8.7	18	8.5	5390	5391	5392	Primers
LPH100-LVG		Air Cap Test Gauge		Air Cap #LV4		Part #2985		

W100G

The W100G is a versatile spray gun with a side mounted cup, high transfer efficiency control and superior atomization.



PC5 #6009
250ml Aluminum Cup

PC4S #6008
400ml Aluminum Cup

Model	Nozzle Size	Pattern Width (in.)	PSI	CFM	Gun Only #	PC4S #6008	PC5 #6009	Usage
W100-101G	1.0	5.1	35	2.6	4450	4451	4452	Touch-up / Spot Repair
W100-132G	1.3	6.9	35	7.9	4560	4561	4562	Fine Metallics
W100-134G	1.3	8.1	28	7.4	4585	4586	4587	Base Coat
W100-152G	1.5	7.5	35	7.9	4570	4571	4572	Base Coat / Clear Coat
W100-181G	1.8	7.5	35	5.3	4575	4576	4577	Primers / Sealers



RG3L

A round pattern spray gun for touch-up and airbrushing.

PC61 #6010
130ml SST Cup

PC5 #6009
250ml Aluminum Cup

Model	Nozzle Size	Pattern Width (in.)	PSI	CFM	Gun Only #	PC61 #6010	PC5 #6009	Note
RG3L-1	0.4	1.0	36	1.1	2805	2862	2861	
RG3L-2	0.6	1.4	36	1.1	2806	2864	2863	
RG3L-3	1.0	1.4	36	1.8	2807	2866	2865	
RG3L-11	0.4	1.0	36	1.1	2808	2868	2867	Comes with Air Adjust Set
RG3L-12	0.6	1.4	36	1.1	2809	2870	2869	Comes with Air Adjust Set
RG3L-13	1.0	1.4	36	1.8	2810	2872	2871	Comes with Air Adjust Set
RG3L	Airbrush Bottle Adapter Only						Part #6022-1	
RG3L	Airbrush Bottle Adapter Kit with three 2oz. Bottles						Part #6022	



ADG-1 Aqua Dry Paint Dryer Gun

Designed for waterborne base coat. Includes air shut-off valve. Special adjustable venturi nozzle design amplifies airflow up to 8 times!



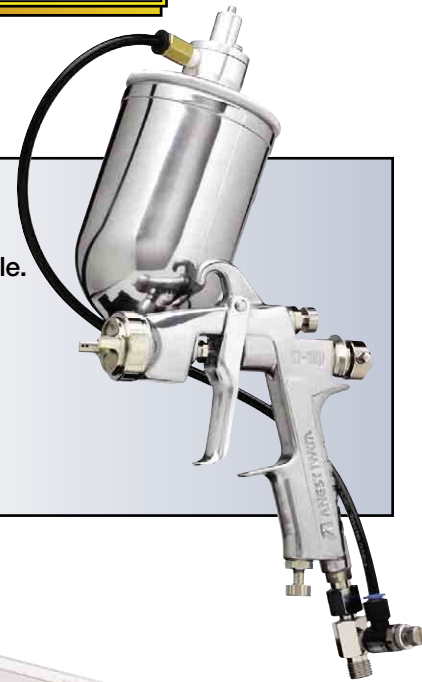
8005A Regulator

Regulator with 60psi gauge for precise air control.

W100A

A specialty gun with an air driven agitated cup used for pearls, metallic and other specialty coatings that rapidly settle.

Model	Nozzle Size	Pattern Width (in.)	PSI	CFM	Complete Kit
W100A Gravity					
W100A-104G	1.0	6.5	21-29	6.4	4590 with 400ml Cup
W100A-134G	1.3	7.1	21-29	6.4	4588 with 400ml Cup
W100A Siphon					
W100A-134S	1.3	6.7	21-29	6.4	4589 with 600ml Cup



8018 Regulator

Compact regulator with gauge.



MK-5 Professional Spray Gun Maintenance Kit

The ideal accessory to ensure your spray gun maintains peak performance. Includes: Aircap cleaning pins & holder, large bottle brush, end brush and holder, five assorted detail bottle brushes down to 3/32", body brush



www.anestiwata.com



ANEST IWATA USA, Inc.

9920 Windisch Road

West Chester, OH 45069

Toll Free: (800) 440-0282

Tel: (513) 755-3100

Fax: (513) 755-0888

www.anestiwata.com